

华通重点推荐阀门 (精华版)

Huatong Hot Recommended Valves (Best Version)

华通重点推荐阀门 (精华版)



全方位的管道解决 方案专家

上海生产园区: 上海市嘉定江桥工业园区江桥路35号(201803)
安徽生产园区: 安徽省和县经济开发区斯瑞尔工业园
公司电话/传真: 电话: +86-21-59141010 400 920 0587
传真: +86-21-59141212

公司网址: <http://www.ht-valve.com>
电子邮箱: sales@ht-valve.com

Shanghai Factory: No.35 Jiangqiao Road, Jiangqiao Industry Zone,
Jiading District, Shanghai (201803)

Anhui Factory: SIRUIER industry zone, hexian economy develop zone, Anhui.
Tel and Fax: T: +86-21-59141010 7008210037800
F: +86-21-59141212

URL: <http://www.ht-valve.com>
E-mail: sales@ht-valve.com

本公司保留产品设计改进权, 如有修改恕不通知!
Our company hold the improvement right of product design.
we are sorry notifying you if there is some modification in design.

上海华通阀门有限公司

1 3 3 0 7 3 2 8 - 9



上海华通阀门有限公司
SHANGHAI HUATONG VALVE CO.,LTD.

立足上海 走向世界

BASE ON SHANGHAI AND GO TO THE WORLD





公司简介

上海华通阀门有限公司通过了国家质检总局 TS、挪威 DNV ISO9001-2000、美国 ABS、API-6D-0459、欧盟 CE-0036、澳大利亚 SAI-WATERMARK 认证、ISO14001 环境管理体系、OHSAS18001 职业健康安全管理体系认证，注册资金 6000 万元，具有自营进出口权的阀门专业制造企业。公司已稳步跨入国内阀门行业先进制造企业之列。

依照“完善体系、科学管理、产品一流、顾客满意”的质量方针建立和完善了质保体系，公司先后与上海交大、上海大学、合肥通用机械研究院等科研院所建立长期的产、学、研联合体和员工培训教育合作基地。严格按照中国国家标准及国际先进标准和产品使用的要求，自主研发的“上华”牌防结晶系列阀门、高耐磨系列阀门、双向密封高性能蝶阀、轴流式止回阀、电液控多功能蝶阀止回阀、多功能自力阀等新型高新技术专利产品，满足了用户的需求，使阀门在各种压力、温度、介质及工况条件下确保其密封性、耐磨性、抗蚀性和安全性，广泛应用于石油、化工、电力、冶金、矿山、环保、造船、轻纺、医药和国防科研等领域，填补国内空白，深受用户好评。

公司现为中国石油天然气集团公司 (CNPC)、中国石油化工集团股份有限公司 (Sinopec Corp)、中国海洋石油总公司 (CNOC)、中国化工装备总公司 (CNCE)、中国电力系统 (CWEME) 阀门网络供应的成员企业。获得蝶阀、闸阀、止回阀、球阀等几十项国家专利。公司是国家阀门标准化委员单位，曾主持、参与起草了 GB/T12238-2008、GB/T21386-2008、GB/T21387-2008、GB/T24924-2010 的蝶阀、闸阀、止回阀、减压阀等多项国家阀门标准。

公司始终遵循“质量第一、用户满意”的经营宗旨。公司设有安装调试、技术培训、产品维修的专门服务机构，竭诚为用户提供高科技的优质产品和满意的售后服务。

为拓展市场和提升企业发展，公司正不断扩大投资规模，海纳各方英才，热忱欢迎国内外客户前来洽谈惠顾和指导工作，建立广泛的业务和经济技术方面合作。

Brief Introduction

Shanghai Huatong Valve Co., Ltd. is a professional valve manufacturer with independent import & export rights, The company has 60 million yuan of registered capital and has passed the certificate of AOSIQ TS, ISO 9001-2000-DNV, ABS, API-6D-0459, CE-0036 and SAI "WATERMARK", ISO14001 and Occupation health safety certificate OHSAS18001. And we've firmly entered into the team of advanced manufacturing companies in domestic valve industry.

Guided under the quality policy "Perfect System, Science Management; Top Product, Customer Satisfaction", the company has set up and improved the quality management system. Also it has established relationship with Shanghai Communication University, Shanghai University, Hefei General Machine Research Institute, etc. for a long-term cooperation including industry, academic research and staff training and education consortium. According to the national standard, international advanced standard and the requests of application circumstance strictly, the company manufacture the ranges of "SHANGHUA" brand valves products with state patent, including crystal prevent valves, high wear resistant valve series, bi-direction seal high performance butterfly valves, axial flow type check valves, multi-function butterfly check valve with electric-hydraulic actuator, multi-function automatic valve etc. to be incorporated to satisfy clients' different demands on valves, ensuring its performances on sealing, abrasion resistance, corrosion resistance and safety under conditions of different pressure, temperature and medium. And these innovative products are widely used in the industries of petrochemical, chemistry, iron and steel, power station, papermaking, pharmacy, and city construction etc., They have filled with the long-term insatiable vacancies in domestic demand, and receive many good praise by users.

We have possessed dozens of patents on butterfly valve, gate valve, check valve and ball valve, and was involved in presiding and drafting national valve standards of butterfly valve, gate valve, check valve and pressure reducing valve (GB/T12238-2008、GB/T21386-2008、GB/T21387-2008、GB/T24924-2010). Now the company has become a network member valve supplier for CNPC, Sinopec Corp, CNDDC, CNCE and CWEME.

The company always follows the business rule of "Quality first, Customer satisfaction", also has established the service department of installation and inspection, technical training, product maintenance, dedicated to providing high quality products and satisfactory after-sale service to clients.

In order to develop market and improve enterprise developing demands, the company will continue to enlarge investment and recruit widely. Sincerely welcome domestic and oversea clients to come for negotiation and guidance in order to establish the business relationship and seeking for the wide economic and technical cooperation.

资质证书



专利证书



目录

序号 NO.	产品型号 Type	页次 Page
一	BRZ942Y-16P BRZ942Y-25P	电动防结晶阀 Electric prevent crystal valve 01
二	BRD943Y-16P BRD943Y-25P	电动防结晶蝶阀 Electric prevent crystal butterfly valve 03
三	BQH ₆ ⁹ 43H-16C BQH ₆ ⁹ 43H-25P	保温换向阀 Pneumatic heat preservation steering valves 05
四	VQ640GY-16P VQ640GY-25P	气动V型耐磨阀 Pneumatic V type wear resistant valve 07
五	HTH47H-16P HTH47H-16C	载气止回阀 Carrier gas check valve 09
六	NMQb3A-16C(P.R.RL) NMQb3A-100C(P.R.RL) NMQb3A-25C(P.R.RL) NMQb3A-150LbC(P.R.RL) NMQb3A-63C(P.R.RL) NMQb3A-300LbC(P.R.RL)	高耐磨球阀 High wear resistant ball valve 11
七	NMZA-16C NMZA-25	高耐磨闸阀 Wear resistant gate valve 15
八	NMDZB-10C NMDZB-16C	耐磨刀闸阀 Wear resistant knife gate valve 17
九	NMD3C-16C NMD3C-25	耐磨蝶阀 Wear resistant butterfly valve 19
十	HC42H(T.X)-10 HC42H(T.X)-16 HC42H(T.X)-25 HC42H-40 HC42H-63 HC42H-100	轴流式止回阀 Check valve for calm sound 21
十一	HH47H(X)-10 HH47H(X)-16 HH47H(X)-25	蝶式缓闭止回阀(管力阀) Slow close butterfly check valve (Automatic valve) 22
十二	HHT947H(X)-10C HHT947H(X)-16C HHT947H(X)-25	电液控多功能蝶式止回阀 Check valve with electric-hydraulic actuator 23
十三	DHT ₉ ³ ₆₄₅ ^H ₁₆ ^G - 10 ₂₅ C(Q·P·R·Z)	法兰式双向密封高性能蝶阀 Flange two-way seal high performance butterfly valve 25
十四	DHT ₉ ³ ₆₄₅ ^H ₁₆ ^G - 16C (P·R) LDHT ₉ ³ ₆₄₅ ^H ₁₆ ^G - 16C (P·R) 25C (P·R) 25C (P·R)	对夹式双向密封高性能蝶阀 Wafer two-way seal high performance butterfly valve 27
十五	DK9K44H-10C; 16C(Mn) DK9K64H-10C; 16C(Mn)	电动快速启闭蝶阀 Electric quick shut off butterfly valve 31
十六	JHT41Y-150Lb JHT41Y-300Lb	整体锻造美标截止阀 Solid forging American standard globe valve 33
十七	ZHT41Y-150Lb ZHT41Y-300Lb	整体锻造美标闸阀 Solid forging American standard gate valve 34
十八	重点推荐产品 (1)	35
十九	重点推荐产品 (2)	36

BRZ942Y-16P BRZ942Y-16C
BRZ942Y-25P BRZ942Y-25

电动防结晶阀
Electric prevent crystal valve



产品特点

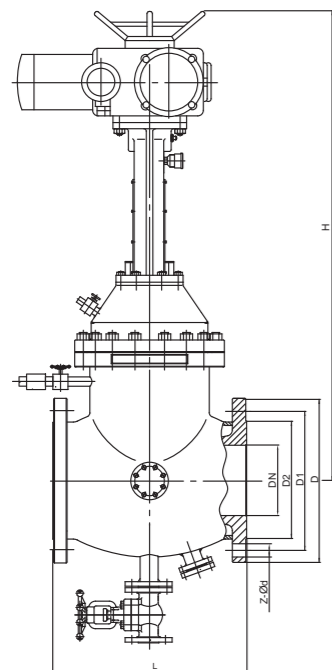
- 阀门是为需要保温运行，防止三聚氰胺工艺介质在阀门腔内结晶，保证工艺系统正常连续运转而设计的专用阀门。
- 阀门设有保温夹套，适用高温气体对阀门保温，防止介质在壳体内壁结晶。
- 阀门设置内加热系统，利用高温气体介质对阀门腔体加热，防止介质在内腔结晶，保证阀门的顺利启闭。
- 阀门设置专用阀杆导向润滑机构，确保阀门频繁启闭操作下的长寿命。
- 压力试验标准：GB/T 13927
法兰连接尺寸标准：GB/T 9113 HG/T 20592

Product feature

- The valve is special valves for which need heat preservation operation, prevent melamine process medium crystallization in the body cavity, ensure valve process system normal continuous operation.
- The valve has insulation jacket, use of high temperature gas to keep the valve temperature, preventing medium crystallization in shell wall.
- The valve installed heating system, using high temperature gas medium to heat the valve chamber to prevent medium crystallization in the chamber, and ensure valve opening and closing smoothly.
- The valve installed special stem guiding lubrication institution which ensure valve long life in opening and closing of the frequent operation.
- The valve pressure test according to GB/T 13927 standard; Flange connecting dimension according to the 20596 HG standard.

专利号：ZL 2009 20212857.4
ZL 2010 20689185.5X

主要零部件材料 Main Parts Material



型号 Type	BRZ942Y-16P BRZ942Y-25P	BRZ942Y-16C BRZ942Y-25
阀体、阀盖、闸板 Body,Gland,Gate	CF8	WCB
阀杆 Spindle	SS 304	2Cr13
夹套 Jacket	SS 304	Q235C
阀门密封面 Valve seal	堆焊司太立硬质合金 Hardfaced with stellite	
填料 Packing	柔性石墨 Flexible graphite	

BRZ942Y-16P BRZ942Y-16C
BRZ942Y-25P BRZ942Y-25 **主要外形与连接尺寸** Main Outline and Connecting Dimension

公称尺寸 DN	公称压力 PN	连接法兰尺寸 Flanged				夹套连接螺纹 Jacket connect screw	外形尺寸 Dimensions	
		D	D1	D2	Z-Ød	Rc	L	H
300	16	460	410	370	12-26	1"	500	1390
	25	485	430	389	16-30	1"	500	1390
350	16	520	470	429	16-26	1"	550	1580
	25	555	490	448	16-33	1"	550	1580
400	16	580	525	480	16-30	1"	600	1640
	25	620	550	503	16-36	1"	600	1640
450	16	640	585	548	20-30	1 1/4"	650	1950
	25	670	600	548	20-36	1 1/4"	650	1950
500	16	715	650	609	20-33	1 1/4"	700	2180
	25	730	660	609	20-36	1 1/4"	700	2220
600	16	840	770	720	20-36	1 1/4"	800	2510
	25	845	770	720	20-39	1 1/4"	800	2510
700	16	910	840	794	24-36	1 1/2"	900	2950
	25	960	875	820	24-42	1 1/2"	900	2950
800	16	1025	950	901	24-39	1 1/2"	1000	3340
	25	1085	990	928	24-48	1 1/2"	1000	3640
900	10	1115	1050	976	28-33	1 1/2"	1100	3980
	16	1125	1050	962	28-39	1 1/2"	1100	3980
1000	16	1255	1170	1112	28-42	1 1/2"	1200	4460
	25	1320	1210	1140	28-55	1 1/2"	1200	5100
1200	16	1485	1390	1328	32-48	2"	1400	6250
	25	1530	1420	1350	32-55	2"	1400	6900

注：根据用户需要，夹套保温介质连接方式可以采用法兰连接。
Note: According to the user's requirement, Jacket heat presentation medium connection can use flange connection.

性能规范 Performance standard

型号 Type	BRZ942Y-16P BRZ942Y-16C	BRZ942Y-25P BRZ942Y-25
公称压力 Nominal Pressure	PN16	PN25
实验压力(MPa) Test Pressure	壳体强度 Shell test	3.75
	高压密封 Seal test	2.75
适用介质 Suitable medium	需要保温、防止结晶的三聚氰胺、氨气、二氧化碳等介质 Melamine ammonia, carbon dioxide and other media which need to heat prevention and anti-crystallization	
适用温度 Suitable temperature	≤400°C	
夹套保温介质 Jacket insulation medium	高温气体 High temperature gas	
夹套工作温度 Working temperature	≤400°C	
内加热工作介质 The medium for inside heating	高温气体 High temperature gas	

注：夹套强度试验压力按照用户的要求。 Note: Jacket strength test according to the user's requirement.

BRD943Y-16P BRD943Y-16C
BRD943Y-25P BRD943Y-25

电动防结晶蝶阀
Electric prevent crystal butterfly valve



专利号: ZL 2011 20516228.8

产品特点

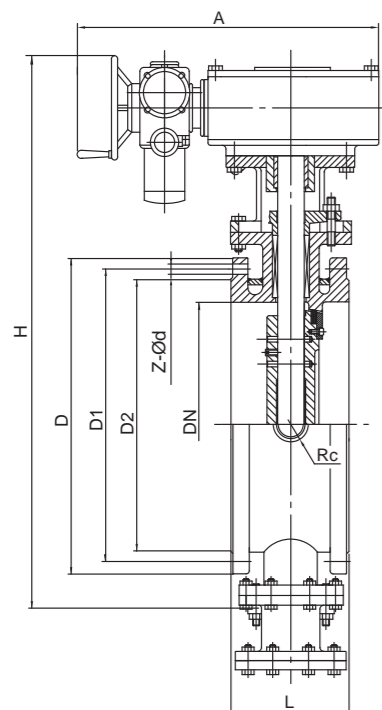
- 阀门是为需要保温运行,防止三聚氰胺工艺介质在阀门腔体内结晶,保证工艺系统正常连续运转而设计的专用阀门。
- 阀门采用层叠型金属密封结构,密封性能可靠,耐高温。密封面外层为硬质合金钢片,启闭过程刮除粘附在阀座密封面介质和结晶,保证密封的可靠性。
- 阀门设有保温夹套,适用高温气体对阀门保温,防止介质在壳体内壁结晶。
- 阀门设置内加热系统,利用高温气体对阀门腔体加热,防止介质在内腔结晶,保证阀门的顺利启闭。
- 阀杆轴承设置在腔体外,不接触介质,避免了结晶的影响,保证了启闭力矩的稳定。
- 压力试验标准: GB/T 13927; 法兰连接尺寸标准: GB/T 9113 HG/T 20592

Product feature

- The valve is special valves for which need heat preservation operation, prevent melamine process medium crystallization in the body cavity, ensure valve process system normal continuous operation.
- The valve take use of laminating metal seal structure, sealing performance reliable, high heat resistance. Outside of the seal face for hard alloy steel, which remove the medium and crystallization adhering to the seat seal surface during open the closing process, and guarantee the reliability of the seal.
- The valve has insulation jacket, use of high temperature gas to keep the valve temperature, preventing medium crystallization in shell wall.
- The valve installed heating system, using high temperature gas medium to heat the valve chamber to prevent medium crystallization in the chamber, and ensure valve opening and closing smoothly.
- Valve stem bearing set outside the body, which not contact medium, avoid to the influence of crystallization and guarantee the opening and closing stability of the torque.
- The valve pressure test according to GB/T 13927 standard; Flange connecting dimension according to the 20596 HG standard.

主要零部件材料 Main Parts Material

型号 Type	BRD943Y-16P BRD943Y-25P	BRD943Y-16C BRD943Y-25
阀体、蝶板 Body, Disc	CF8	WCB
阀杆 Spindle	SS 304	2Cr13
夹套 Jacket	SS 304	Q235C
填料Packing	柔性石墨 Flexible graphite	
阀门密封面 Valve seal	体密封面-堆焊司太立硬质合金 Body seal-Hardfaced with stellite 板密封面-层叠型不锈钢 Disc seal-Laminated stainless steel	



BRD943Y-16P BRD943Y-16C
BRD943Y-25P BRD943Y-25 **主要外形与连接尺寸** Main Outline and Connecting Dimension

公称尺寸 DN	公称压力 PN	连接法兰尺寸 Flanged				夹套连接螺纹	外形尺寸 Dimensions		
		D	D1	D2	Z-Ød	Rc	L	A	H
300	16	460	410	370	12-26	1"	178	585	1100
	25	485	430	389	16-30	1"	178	585	1100
350	16	520	470	429	16-26	1"	190	585	1160
	25	555	490	448	16-33	1"	190	585	1160
400	16	580	525	480	16-30	1"	216	585	1265
	25	620	550	503	16-36	1"	216	585	1265
450	16	640	585	548	20-30	1 1/4"	222	702	1350
	25	670	600	548	20-36	1 1/4"	222	702	1350
500	16	715	650	609	20-33	1 1/4"	229	702	1410
	25	730	660	609	20-36	1 1/4"	229	702	1410
600	16	840	770	720	20-36	1 1/4"	267	910	1610
	25	845	770	720	20-39	1 1/4"	267	910	1610
700	16	910	840	794	24-36	1 1/2"	292	910	1780
	25	960	875	820	24-42	1 1/2"	292	910	1805
800	16	1025	950	901	24-39	1 1/2"	318	910	1890
	25	1085	990	928	24-48	1 1/2"	318	910	1920
900	10	1115	1050	976	28-33	1 1/2"	330	960	1980
	16	1125	1050	962	28-39	1 1/2"	330	960	1980
1000	16	1255	1170	1112	28-42	1 1/2"	410	1030	2120
	25	1320	1210	1140	28-55	1 1/2"	410	1030	2150
1200	16	1485	1390	1328	32-48	2"	470	1030	2450
	25	1530	1420	1350	32-55	2"	470	1030	2480

注: 根据用户需要, 夹套保温介质连接方式可以采用法兰连接。
Note: According to the user's requirement, Jacket heat presentation medium connection can use flange connection.

性能规范 Performance standard

型号 Type	BRD943Y-16C BRD943Y-16P	BRD943Y-25 BRD943Y-25P
公称压力 Nominal Pressure	PN16	PN25
实验压力(MPa) Test Pressure	壳体强度 Shell test	3.75
	高压密封 Seal test	2.75
适用介质 Suitable medium	需要保温、防止结晶的三聚氰胺、氨气、二氧化碳等介质 Melamine ammonia, carbon dioxide and other media which need to heat prevention and anti-crystallization	
适用温度 Suitable temperature	≤400°C	
夹套保温介质 Jacket insulation medium	高温气体 High temperature gas	
夹套工作温度 Working temperature	≤400°C	
内加热工作介质 The medium for inside heating	高温气体 High temperature gas	

注: 夹套强度试验压力按照用户的要求。 Note: Jacket strength test according to the user's requirement.

三 BQH₆⁹43H-16C BQH₆⁹43H-16P
BQH₆⁹43H-25 BQH₆⁹43H-25P

保温换向阀
Pneumatic heat preservation steering valves



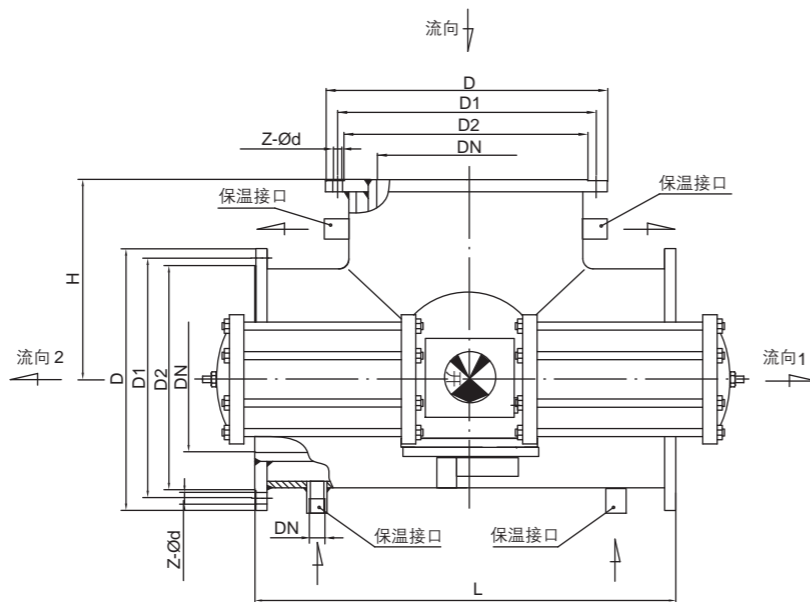
产品特点

- 阀门是为需要多路切换，保温运行，防止结晶的三聚氰胺工艺系统设计的专用阀门。
- 阀门设有保温夹套，使用高温气体对阀门的保温。
- 阀门采用层叠型金属密封结构，密封性能可靠，耐高温。密封面外层为硬质合金钢片，启闭过程刮除粘附在阀座密封面介质和结晶，保证密封的可靠性。
- 阀门按照GB/T13927的规定进行压力测试；法兰连接尺寸按HG/T 20592的规定。

Product feature

- The valve is the special valves which need more road switch, heat preservation operation, prevent crystallization in melamine process system.
- The valve has insulation jacket, use of high temperature gas to keep the valve temperature.
- The valve take use of laminating metal seal structure, seal performance reliable, high heat resistance. Outside of the seal face for hard alloy steel, which remove the medium and crystallization adhering to the seat seal surface during opening the closing process, and guarantee the reliability of the seal.
- The valve pressure test according to GB/T 13927 standard ; Flange connecting dimension according to the 20596 HG standard.

专利号: ZL 2011 10413378.0
ZL 2011 20516198.0



主要零部件材料 Main Parts Material

型号 Type	阀体、阀板 Body, Disc	阀杆 Spindle	夹套 Jacket	阀门密封面 Valve seal	填料 Packing
BQH ₆ ⁹ 43H-16P BQH ₆ ⁹ 43H-25P	SS 304	SS 304	SS 304	体密封面-堆焊不锈钢 Body seal: Hardfaced with SS 板密封面-层叠不锈钢 Disk seal: Laminated SS	柔性石墨 Flexible graphite
BQH ₆ ⁹ 43H-16C BQH ₆ ⁹ 43H-25	Q235C	2Cr13	Q235C	体密封面-硬质合金钢 Body seal: Hard alloy 板密封面-层叠不锈钢 Disk seal: Laminated SS	柔性石墨 Flexible graphite

BQH₆⁹43H-16C BQH₆⁹43H-16P
BQH₆⁹43H-25 BQH₆⁹43H-25P **主要外形与连接尺寸 Main Outline and Connecting Dimension**

公称尺寸 DN	公称压力 PN	连接法兰尺寸 Flanged				夹套连接公称尺寸 DN	外形尺寸 Dimensions	
		D	D1	D2	Z-Ød		L	H
250	16	405	355	319	12-26	25	700	400
	25	425	370	330	12-30	25	700	400
300	16	460	410	370	12-26	25	800	450
	25	485	430	389	16-30	25	800	450
350	16	520	470	429	16-26	25	900	500
	25	555	490	448	16-33	25	900	500
400	16	580	525	480	16-30	32	1000	550
	25	620	550	503	16-36	32	1000	550
450	16	640	585	548	20-30	32	1100	600
	25	670	600	548	20-36	32	1100	600
500	16	715	650	609	20-33	32	1200	700
	25	730	660	609	20-36	32	1200	700
600	16	840	770	720	20-36	40	1400	800
	25	845	770	720	20-39	40	1400	800
700	16	910	840	794	24-36	40	1500	900
	25	960	875	820	24-42	40	1500	900
800	16	1025	950	901	24-39	40	1600	1000
	25	1085	990	928	24-48	40	1600	1000

注：根据用户需要，阀门三端公称尺寸及连接法兰尺寸可以不同，应在合同中注明。
Note: According to the user's requirement, three dimensions and flange size can be different, should be indicated in the contract.

性能规范 Performance standard

型号 Type	BQH ₆ ⁹ 43H-16C BQH ₆ ⁹ 43H-16P	BQH ₆ ⁹ 43H-25 BQH ₆ ⁹ 43H-25P	
公称压力 Nominal Pressure	PN16	PN25	
实验压力(MPa) Test Pressure	壳体强度 Shell test	2.4	3.75
	高压密封 Seal test	1.76	2.75
适用介质 Suitable medium	需要保温、防止结晶的三聚氰胺、氨气、二氧化碳等介质 Melamine ammonia, carbon dioxide and other media which need to heat prevention and anti-crystallization		
适用温度 Suitable temperature	≤400℃		
夹套保温介质 Jacket insulation medium	高温气体 High temperature gas		
夹套工作温度 Working temperature	≤400℃		

注：夹套强度试验压力按照用户的要求。
Note: Jacket strength test according to the user's requirement.

四 VQ640GY-16P VQ640GY-16C
VQ640GY-25P VQ640GY-25

气动V型耐磨阀
Pneumatic V type wear resistant valve



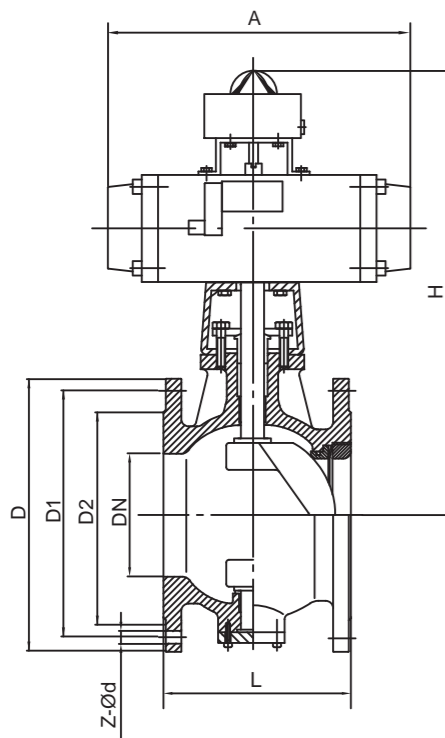
产品特点

- 阀门是为三聚氰胺工艺系统粉状、颗粒状介质管道设计的专用阀门。
- 阀门关闭过程中V型口紧贴阀座运动，刮除密封面的结晶和杂质，保证阀门的可靠密封。
- V型球体表面采用超音速火焰喷涂工艺喷涂碳化钨高硬涂层，阀座密封面堆焊司太立硬质合金，耐冲刷、耐磨损。
- 根据用户需要阀门可以增加保温夹套,用高温气体对阀门保温，防止物料在壳体内壁结晶。
- 压力试验标准：GB/T 13927
法兰连接尺寸标准：GB/T 9113 HG/T 20592

Product feature

- The valve is special designed valves for melamine process system which the medium of the pipe is Powdery and granular.
- In the process of valve closed mouth V type to seat sports, removed by the crystallization of sealing surface and magazines, guarantee the reliability of the valve.
- V type sphere surface use the seattle flame process spraying high tungsten carbide hard coating, seat sealing surface stellite, scouring resistance welding and wear resistance.
- According to the needs of user the valve can increase heat preservation clip set with high temperature, gas valve, prevent heat preservation material to the inner shell crystallization.
- Manufacturing inspection standard: GB/T 13927
Flange size standard: GB/T 9113.1 HG 20596

专利号：ZL 2010 20670569.6



主要零部件材料 Main Parts Material

型号 Type	VQ640GY-16P VQ640GY-25P	VQ640GY-16C VQ640GY-25
阀体 Body	CF8	WCB
V型半球体 V type hemispheroid	CF8 密封面喷涂碳化钨 Seal face coating with tungsten carbide	WCB 密封面喷涂碳化钨 Seal face coating with tungsten carbide
阀座密封面 Seat seal	堆焊司太立硬质合金 Hardfaced with stellite	
阀杆 Spindle	17-4PH	2Cr13
填料 Packing	柔性石墨 Flexible graphite	

VQ640GY-16P VQ640GY-16C
VQ640GY-25P VQ640GY-25

主要外形与连接尺寸 Main Outline and Connecting Dimension

公称尺寸 DN	公称压力 PN	连接法兰尺寸 Flanged				外形尺寸 Dimensions		
		D	D1	D2	Z-Ød	L	A	H
250	16	405	355	319	12-26	330	926	780
	25	425	370	330	12-30	330	926	780
300	16	460	410	370	12-26	390	1090	1060
	25	485	430	389	16-30	390	1090	1060
350	16	520	470	429	16-26	430	1100	1060
	25	555	490	448	16-33	430	1100	1060
400	16	580	525	480	16-30	530	1210	1360
	25	620	550	503	16-36	530	1210	1360
450	16	640	585	548	20-30	590	1280	1360
	25	670	600	548	20-36	590	1280	1360
500	16	715	650	609	20-33	630	1360	2350
	25	730	660	609	20-36	630	1360	2350
600	16	840	770	720	20-36	800	1450	2840
	25	845	770	720	20-39	800	1450	2840
700	16	910	840	794	24-36	900	1570	2840
	25	960	875	820	24-42	900	1570	2840
800	16	1025	950	901	24-39	1000	1680	3300
	25	1085	990	928	24-48	1000	1680	3300

性能规范 Performance standard

型号 Type	VQ640GY-16P VQ640GY-16C		VQ640GY-25P VQ640GY-25	
公称压力 Nominal Pressure	PN16		PN25	
实验压力(MPa) Test Pressure	壳体强度 Shell test	2.4	3.75	
	高压密封 Seal test	1.76	2.75	
适用介质 Suitable medium	粉状、颗粒状介质 Powder,granule media.			
适用温度 Suitable temperature	≤400℃			

五 HTH47H-16P HTH47H-16C

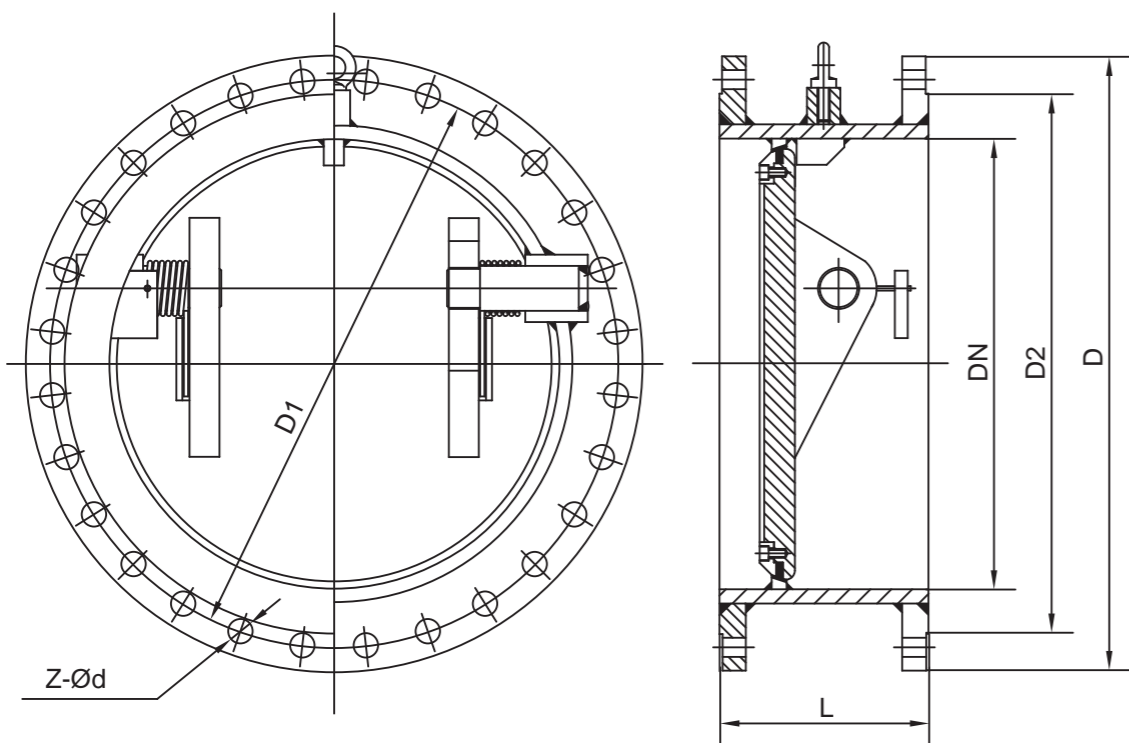
载气止回阀
Carrier gas check valve

产品特点

- 阀门是为气态法三聚氰胺生产装置载气系统设计的专用阀门,用于压机出口或管道系统,防止介质倒流,保护工艺过程和设备的安全。
- 阀门结构简单,壳体无泄漏点,可靠性高;阀门结构尺寸短,体积小,有利于配管,节省泵房空间。
- 阀门采用层叠型金属密封结构,密封性能可靠,耐高温。
- 阀门按照GB/T 13927的规定进行压力试验;法兰连接尺寸按HG/T 20592的规定。
- 根据用户的需要,阀门可以增加液压缓闭系统,实现静音关闭。

Product feature

- The valve is gaseous method melamine production equipment carrier gas system design of special valves, Used for compressor piping system, prevent export or medium flow back, protect the safety equipment and process.
- The valve structure simple, shell no leakage point, high reliability, the valve structure size, small volume, be helpful for short pipe, save pump room space.
- The valve type is laminated metal seal structure, Sealing performance reliable, withstand high temperatures.
- The valve according to GB/T 13927 the rules of the pressure test, flange size according to the provisions of the 20596 HG.



主要零部件材料 Main Parts Material

型号 Type	阀体、阀板 Body, Disc	阀杆 Spindle	阀门密封面 Valve seal	助关弹簧 Disc spring
HTH47H-16P	SS 304	SS 304	体密封面-堆焊不锈钢 Body seal: Hardfaced with SS 板密封面-层叠不锈钢 Disc seal: Laminated SS	30W4Cr2VA
HTH47H-16C	Q235C	SS 304	体密封面-硬质合金钢 Body seal: Hard alloy 板密封面-层叠不锈钢 Disc seal: Laminated SS	30W4Cr2VA

HTH47H-16P HTH47H-16C 主要外形与连接尺寸 Main Outline and Connecting Dimension

公称尺寸 DN	连接法兰尺寸 Flanged				外形尺寸 Dimensions
	D	D1	D2	Z-Ød	L
300	460	410	370	12-26	270
350	520	470	429	16-26	290
400	580	525	480	16-30	310
450	640	585	548	20-30	330
500	715	650	609	20-33	350
600	840	770	720	20-36	390
700	910	840	794	24-36	430
800	1025	950	901	24-39	470
1000	1255	1170	1112	28-42	550
1200	1485	1390	1328	32-48	630

性能规范 Performance standard

型号 Type	HTH47H-16P HTH47H-16C	
公称压力 Nominal Pressure	PN16	
实验压力(MPa) Test Pressure	壳体强度 Shell test	2.4
	高压密封 Seal test	1.76
适用介质 Suitable medium	氨气、二氧化碳气体等介质 Ammonia, carbon dioxide and other media	
适用温度 Suitable temperature	≤400℃	

六 NMQb3A-16C(P.R.RL) NMQb3A-100C(P.R.RL)
 NMQb3A-25C(P.R.RL) NMQb3A-150LbC(P.R.RL)
 NMQb3A-63C(P.R.RL) NMQb3A-300LbC(P.R.RL)

高耐磨球阀
 High wear resistant ball valve



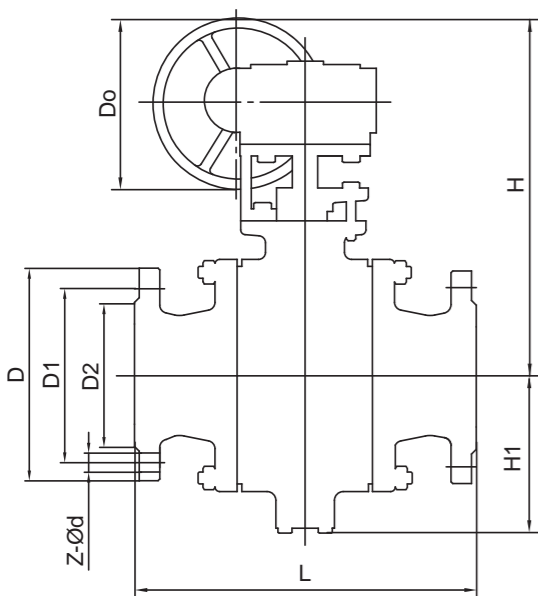
产品特点

- 用三段式球阀，全口径设计，流通能力大，流阻小，减缓磨损，延长阀门使用寿命。
- 阀座密封副采用隐藏式设计，避免介质直接冲刷损伤。
- 阀门配有特殊材料与工艺制造的高耐磨护套，通道表面喷涂碳化钨，达到多层保护，增强耐磨性能。
- 高耐磨护套采用活接结构，用户可根据阀门磨损情况，方便更换，以降低用户生产使用成本。
- 球体采用特殊材料与工艺制造，并喷涂碳化钨高硬涂层以增强球体耐磨和抗冲刷性能。
- 阀门操作采用蜗轮传动，减轻球阀操作力矩，开关灵活，保护阀门安全运行。根据用户的需要可以提供气动或电动高耐磨球阀。
- 阀门设有吹扫、排污功能装置。
- 适用介质范围广，更适用于含硬质颗粒液体及风送、气送粉末颗粒介质。

Product feature

- It adopts three pieces and full bore design with high flow capacity and small flow resistance, making wear and tear slowly, and extending service life of valve.
- Counter-seats adopt hidden type protective design to avoid direct erosion damage from medium.
- Valve is fitted with high wear-resistant jacket which is composed of special material and process, surface of flow way is sprayed with tungsten carbide to form multi-layer protection, further improve wholly wear resistance and anti-erosion ability.
- High wear resistant jacket adopts replaceable structure, it is easy for customer to have maintenance according to abrasive situation of the valve, the purpose is to reduce user's using costs.
- Ball is produced using special material and process, and is sprayed with tungsten carbide to enhance wholly wear resistance as well as improve anti-erosion performance.
- Worm gear is fitted to drive valve and low operating torque. Easy open and close ensues the valve run safely.
- Valves equipped with purging and sewage function device.
- The scope of applicable of mediums is widely. It is more suitable for the mediums, such as liquid including rigid particles, powders driven by wind and gas.

专利号: ZL 2009 20208498.5



性能规范 Performance standard

公称压力 Nominal Pressure		PN16	PN25	PN63	PN100	Class 150	Class 300
实验压力 (MPa) Test Pressure	壳体强度(液体) Shell test (Liquid)	2.4	3.8	9.6	15	3.0	7.5
	高压密封(液体) Seal test (liquid)	1.8	2.8	7.0	11	2.2	5.5
	低压密封(气体) Low pressure seal (gas)	0.6	0.6	0.6	0.6	0.6	0.6
适用介质 Suitable medium		金属硅粉、矿粉、灰渣、浆液、水泥、煤粉、黑水、腐蚀性物料等 Metal gray powder, mineral powder, ash, serum, cement and media etc.					
适用温度 Suitable temperature		≤300°C					

主要零部件材料 Main parts material

材料代号 Material code	阀体 Body	阀座 Seat	球体 Ball	阀杆 Stem	填料 Packing
C	WCB	SS 304 堆焊司太立合金 SS 304+Stellite	2Cr13 球面喷涂碳化钨 Tungsten carbide sprayed on ball	2Cr13	柔性石墨 Gentle graphite
P	CF8	SS 304 堆焊司太立合金 SS 304+Stellite	SS 304 球面喷涂碳化钨 Tungsten carbide sprayed on ball	17-4PH	柔性石墨 Gentle graphite
R	CF8M	SS 316 堆焊司太立合金 SS 316+Stellite	SS 316 球面喷涂碳化钨 Tungsten carbide sprayed on ball	17-4PH	柔性石墨 Gentle graphite
RL	CF3M	SS 316L 堆焊司太立合金 SS 316L+Stellite	SS 316L 球面喷涂碳化钨 Tungsten carbide sprayed on ball	17-4PH	柔性石墨 Gentle graphite

NMQb3A-16C(P.R.RL)

NMQb3A-25C(P.R.RL)

主要外形与连接尺寸 Main Outline and Connecting Dimension

公称尺寸 DN	公称压力 PN	连接法兰尺寸 Flanged					外形尺寸 Dimensions			
		D	D1	D2	b	Z-Ød	L	H	H1	Do
20	16/25	105	75	56	16	4-14	130	310	85	120
25	16/25	115	85	65	16	4-14	140	310	85	120
32	16/25	140	100	76	18	4-18	165	340	96	160
40	16/25	150	110	84	18	4-18	165	350	102	160
50	16/25	165	125	99	20	4-18	203	358	114	160
65	16/25	185	145	118	20	4-18/8-18	222	460	127	250
80	16/25	200	160	132	20	8-18	241	490	152	250
100	16	220	180	156	22	8-18	305	540	184	400
	25	235	190	156	24	8-22	305	540	184	400
125	16	250	210	184	22	8-18	356	580	219	400
	25	270	220	184	26	8-26	356	580	219	400
150	16	285	240	211	24	8-22	394	620	273	400
	25	300	250	211	28	8-26	394	620	273	400
200	16	340	295	266	24	12-22	457	760	360	600
	25	360	310	274	30	12-26	457	760	360	600
250	16	405	355	319	26	12-26	533	880	395	600
	25	425	370	330	32	12-30	533	880	395	600
300	16	460	410	370	28	12-26	610	970	430	700
	25	485	430	389	34	16-30	610	970	430	700
350	16	520	470	429	30	16-26	686	1050	470	700
	25	555	490	448	38	16-33	686	1050	470	700
400	16	580	525	480	32	12-30	762	1190	580	700
	25	620	550	503	40	16-36	762	1190	580	700

注：表中法兰连接尺寸按GB/T 9113的规定 Note: Connection flange size according to GB/T 9113

NMQb3A-63C(P.R.RL)

NMQb3A-100C(P.R.RL)

主要外形与连接尺寸 Main Outline and Connecting Dimension

公称尺寸 DN	公称压力 PN	连接法兰尺寸 Flanged					外形尺寸 Dimensions			
		D	D1	D2	b	Z-Ød	L	H	H1	Do
20	63/100	130	90	58	22	4-18	190	310	85	120
25	63/100	140	100	68	24	4-18	216	310	85	120
32	63/100	155	110	78	26	4-22	229	340	96	160
40	63/100	170	125	88	26/28	4-22	241	350	102	160
50	63	180	135	102	26	4-22	292	358	114	160
	100	195	145	102	30	4-26	292	358	114	160
65	63	205	160	122	26	8-22	330	460	127	250
	100	220	170	122	34	8-26	330	460	127	250
80	63	215	170	138	28	8-22	356	490	152	250
	100	230	180	138	36	8-26	356	490	152	250
100	63	250	200	162	30	8-26	406	610	184	400
	100	265	210	162	40	8-30	432	610	184	400

公称尺寸 DN	公称压力 PN	连接法兰尺寸 Flanged					外形尺寸 Dimensions			
		D	D1	D2	b	Z-Ød	L	H	H1	Do
125	63	295	240	188	34	8-30	465	670	219	400
	100	315	250	188	40	8-33	508	670	219	400
150	63	345	280	218	36	8-33	495	785	273	400
	100	355	290	218	44	12-33	559	785	273	400
200	63	415	345	285	42	12-36	579	926	360	600
	100	430	360	285	52	12-36	660	926	360	600
250	63	470	400	345	46	12-36	673	1010	395	600
	100	505	430	345	60	12-39	787	1010	395	600
300	63	530	460	410	52	16-36	762	1160	445	800
	100	585	500	410	68	16-42	838	1160	445	800
350	63	600	525	465	56	16-39	826	1250	500	800
	100	655	560	465	74	16-48	889	1250	500	800
400	63	670	585	535	60	16-42	902	1380	560	800

NMQb3A-150LbC(P.R.RL)

NMQb3A-300LbC(P.R.RL)

主要外形与连接尺寸 Main Outline and Connecting Dimension

公称尺寸		压力等级 CLASS	连接法兰尺寸 Flanged					外形尺寸 Dimensions			
DN	NPS		D	D1	D2	b	Z-Ød	L	H	H1	Do
50	2	150	152	120.5	92	16	4-19	203	358	114	160
		300	165	127	92	23	8-19	216	358	114	160
65	2 1/2	150	178	139.5	105	18	4-19	222	358	114	160
		300	190	149	105	26	8-22	241	358	114	160
80	3	150	190	152.5	127	19	4-19	241	460	127	250
		300	210	168.5	127	29	8-22	283	460	127	250
100	4	150	229	190.5	157	24	8-19	305	490	152	250
		300	254	200	157	32	8-22	305	490	152	250
125	5	150	254	216	186	24	8-22	356	540	184	400
		300	279	235	186	35	8-22	381	540	184	400
150	6	150	279	241.5	216	26	8-22	394	580	219	400
		300	318	270	216	37	12-22	403	580	219	400
200	8	150	343	298.5	270	29	8-22	457	620	273	400
		300	381	330	270	42	12-25	502	620	273	400
250	10	150	406	362	324	31	12-25	533	760	360	600
		300	445	387.5	324	48	16-29	568	760	360	600
300	12	150	483	432	381	32	12-25	610	880	395	600
		300	521	451	381	51	16-32	648	880	395	600
350	14	150	533	476	413	35	12-29	686	970	430	700
		300	584	514.5	413	54	20-32	762	970	430	700
400	16	150	597	540	470	37	16-29	762	1050	470	700
		300	648	571.5	470	58	20-35	838	1050	470	700

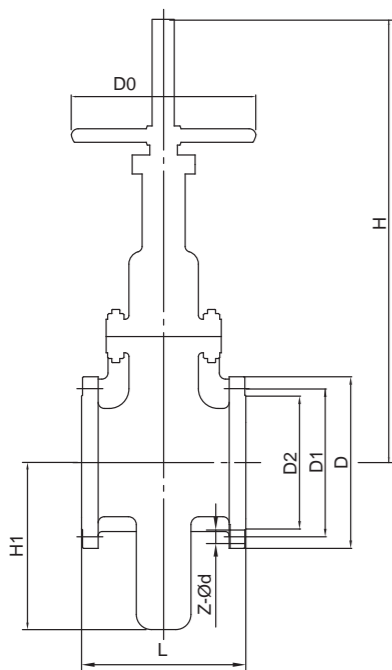
注：表中法兰连接尺寸按ANSI B1615的规定 Note: Connection flange size according to ANSI B1615

七 NMZA-16C NMZA-25

高耐磨闸阀
Wear resistant gate valve



专利号: ZL 2009 20078119.5



产品特点

- 采用全通径设计, 流通能力大, 流阻小, 减缓磨损, 延长阀门使用寿命。
- 阀座密封副采用隐藏式设计, 避免介质直接冲刷损伤。
- 阀门配有特殊材料与工艺制造的高耐磨护套, 通道表面喷涂碳化钨, 达到多层保护, 增强耐磨性能。
- 高耐磨护套采用活接结构, 用户可根据阀门磨损情况, 方便更换, 以降低用户生产使用成本。
- 闸板采用特殊材料与工艺制造, 并喷涂碳化钨高硬涂层以增强球体耐磨和抗冲刷性能。
- 阀门设有吹扫、排污功能装置。
- 阀门常规连接形式为法兰连接, 根据用户需要可以提供对夹连接或焊接连接高耐磨闸阀。
- 适用介质范围广, 更适用于含硬质颗粒液体及风送、气送粉末颗粒介质。

Product feature

- Full bore design with high flow capacity and small flow resistance, making wear and tear slowly, and extending service life of valve.
- Counter-seats adopt hidden type protective design to avoid direct erosion damage from medium.
- Valve is fitted with high wear-resistant jacket which is composed of special material and process, surface of flow way is sprayed with tungsten carbide to form multi-layer protection, further improve wholly wear resistance and anti-erosion ability.
- High wear resistant jacket adopts replaceable structure, it is easy for customer to have maintenance according to abrasive situation of the valve, the purpose is to reduce user's using costs.
- Gate is produced using special material and process, and is sprayed with tungsten carbide to enhance wholly wear resistance as well as improve anti-erosion performance.
- Valves equipped with purging and sewage function device.
- Valve connecting is flange type, according to user's requirement, we can design wafer, weld type high wear resistant gate valve.
- The scope of applicable of mediums is widely. It is more suitable for the mediums, such as liquid including rigid particles, powders driven by wind and gas.

性能规范 Performance standard

型号 Type	NMZA-16C	NMZA-25	
公称压力 Nominal Pressure	PN16	PN25	
实验压力 (MPa) Test Pressure	壳体强度 Shell test	2.4	3.8
	高压密封 Seal test	1.8	2.8
适用介质 Suitable medium	金属硅粉、矿粉、灰渣、浆液、水泥等 Metal gray powder, mineral powder, ash, serum, and cement etc.		
适用温度 Suitable temperature	≤300°C		

NMZA-16C NMZA-25 主要外形与连接尺寸 Main Outline and Connecting Dimension

公称尺寸 DN	公称压力 PN	连接法兰尺寸 Flanged					外形尺寸 Dimensions			
		D	D1	D2	b	Z-Ød	L	H	H1	Do
20	16	115	85	65	16	4-14	127	340	135	160
	25	115	85	65	16	4-14	127	340	135	160
25	16	140	100	76	18	4-18	140	353	135	180
	25	140	100	76	18	4-18	140	353	135	180
32	16	150	110	84	18	4-18	165	389	140	200
	25	150	110	84	18	4-18	165	389	140	200
40	16	165	125	99	20	4-18	178	465	150	240
	25	165	125	99	20	4-18	178	465	150	240
50	16	185	145	118	20	4-18	190	550	160	300
	25	185	145	118	22	8-18	190	550	160	300
65	16	200	160	132	20	8-18	203	610	180	300
	25	200	160	132	24	8-18	203	610	180	300
80	16	220	180	156	22	8-18	229	700	216	300
	25	235	190	156	24	8-22	229	700	216	300
100	16	250	210	184	22	8-18	254	798	257	350
	25	270	220	184	26	8-26	254	798	257	350
125	16	285	240	211	24	8-22	267	895	300	350
	25	300	250	211	28	8-26	267	895	300	350
150	16	340	295	266	24	12-22	292	1130	390	350
	25	360	310	274	30	12-26	292	1130	390	350
200	16	405	355	319	26	12-26	330	1290	480	400
	25	425	3470	330	32	12-30	330	1290	480	400
250	16	460	410	370	28	12-26	356	1480	550	450
	25	485	430	389	34	16-30	356	1480	550	450
300	16	520	470	429	30	16-26	381	1660	625	450
	25	555	490	448	38	16-33	381	1660	625	450
350	16	580	525	480	32	12-30	406	1850	710	500
	25	620	550	503	40	16-36	406	1850	710	500
400	16	640	585	548	40	20-30	432	2080	785	500
	25	670	600	548	46	20-36	432	2080	785	500

注: 表中连接法兰尺寸按GB/T 9113的规定(因结构需要, 法兰尺寸放大一个规格)。
Note: Connection flange size according to GB/T 9113 (As the structural needs, flange size amplify a specification.)

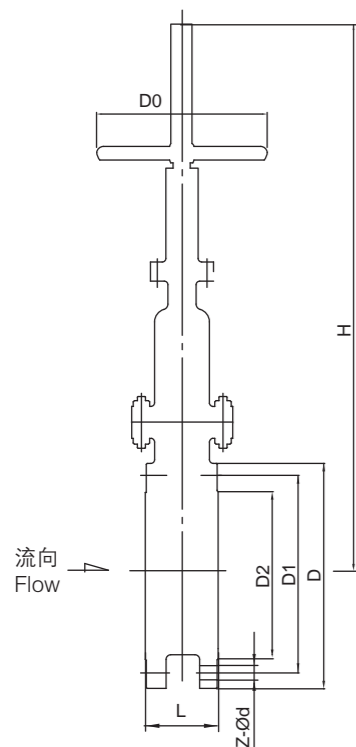
八 NMDZB-10C NMDZB-16C

耐磨刀闸阀

Wear resistant knife gate valve



专利号: ZL 2009 20208499.X



产品特点

- 采用全通径设计, 流通能力大, 流阻小, 减缓磨损, 延长阀门使用寿命。
- 阀座密封副采用隐藏式设计, 避免介质直接冲刷损伤。
- 阀门配有特殊材料与工艺制造的高耐磨护套, 通道表面喷涂碳化钨, 达到多层保护, 增强耐磨性能。
- 高耐磨护套采用活接结构, 用户可根据阀门磨损情况, 方便更换, 以降低用户生产使用成本。
- 闸板采用特殊材料与工艺制造, 并喷涂碳化钨高硬涂层以增强闸板耐磨和抗冲刷性能。
- 阀门是单向密封耐磨阀, 结构尺寸短, 重量轻, 公称通径法兰连接。
- 适用介质范围广, 更适用于浆液、含硬质颗粒液体及风送粉末颗粒介质。

Product feature

- Full bore design with high flow capacity and small flow resistance, making wear and tear slowly, and extending service life of valve.
- Counter-seats adopt hidden type protective design to avoid direct erosion damage from medium.
- Valve is fitted with high wear-resistant jacket which is composed of special material and process, surface of flow way is sprayed with tungsten carbide to form multi-layer protection, further improve wholly wear resistance and anti-erosion ability.
- High wear resistant jacket adopts replaceable structure, it is easy for customer to have maintenance according to abrasive situation of the valve, the purpose is to reduce user's using costs.
- Gate is produced using special material and process, and is sprayed with tungsten carbide to enhance wholly wear resistance as well as improve anti-erosion performance.
- The valve is one-way seal wear-resisting valves, with short Structure size, Light Weight, Nominal diameter flange connection.
- The scope of applicable of mediums is widely. It is more suitable for the mediums, such as liquid including rigid particles, powders driven by wind and gas.

性能规范 Performance standard

型号 Type		NMDZB-10C	NMDZB-16C
公称压力 Nominal Pressure		PN10	PN16
实验压力 (MPa) Test Pressure	壳体强度 Shell test	1.5	2.4
	高压密封 Seal test	1.1	1.8
适用介质 Suitable medium	金属硅粉、矿粉、灰渣、浆液、水泥等 Metal gray powder, mineral powder, ash, serum, and cement etc.		
适用温度 Suitable temperature	≤300℃		

NMDZB-10C NMDZB-16C 主要外形与连接尺寸 Main Outline and Connecting Dimension

公称尺寸 DN	公称压力 PN	连接法兰尺寸 Flanged				外形尺寸 Dimensions		
		D	D1	D2	Z-Ød	L	H	Do
50	10	165	125	99	4-18	43	475	180
	16	165	125	99	4-18	43	475	180
65	10	185	145	118	4-18	46	500	180
	16	185	145	118	4-18	46	500	180
80	10	200	160	132	8-18	64	535	220
	16	200	160	132	8-18	64	535	220
100	10	220	180	156	8-18	64	605	220
	16	220	180	156	8-18	64	605	220
125	10	250	210	184	8-18	70	665	280
	16	250	210	184	8-18	70	665	280
150	10	285	240	211	8-22	70	765	280
	16	285	240	211	8-22	70	765	280
200	10	340	295	266	8-22	80	880	360
	16	340	295	266	12-22	80	880	360
250	10	395	350	319	12-22	85	1020	360
	16	405	355	319	12-26	85	1020	360
300	10	445	400	370	12-22	100	1220	400
	16	460	410	370	12-26	100	1220	400
350	10	505	460	429	16-22	100	1370	400
	16	520	470	429	16-26	100	1370	400
400	10	565	515	480	16-26	100	1560	400
	16	580	525	480	16-30	100	1560	400
450	10	615	565	530	20-26	120	1720	530
	16	640	585	548	20-30	120	1720	530
500	10	670	620	582	20-26	130	1870	530
	16	715	650	609	20-33	130	1870	530
600	10	780	725	682	20-30	140	2220	600
	16	840	770	720	20-36	140	2220	600
700	10	895	840	794	24-30	154	2570	600
	16	910	840	794	24-36	154	2570	600
800	10	1015	950	901	24-33	165	3030	600
	16	1025	950	901	24-39	165	3030	600
900	10	1115	1050	1001	28-33	190	3430	600
	16	1125	1050	1001	28-39	190	3430	600
1000	10	1230	1160	1112	28-36	203	3770	600
	16	1255	1170	1112	28-42	203	3770	600

注: 1、由于对夹式刀闸阀结构所限, 阀体上的安装螺孔Z-Ød有一部分是螺纹孔。
2、公称尺寸≥DN600采用锥齿轮传动。

Note: 1. As this knife gate valve structure limited, one part of installation screw hole Z-Ød in the body is threaded hole.
2. Nominal size ≥DN600 use bevel gear drive.

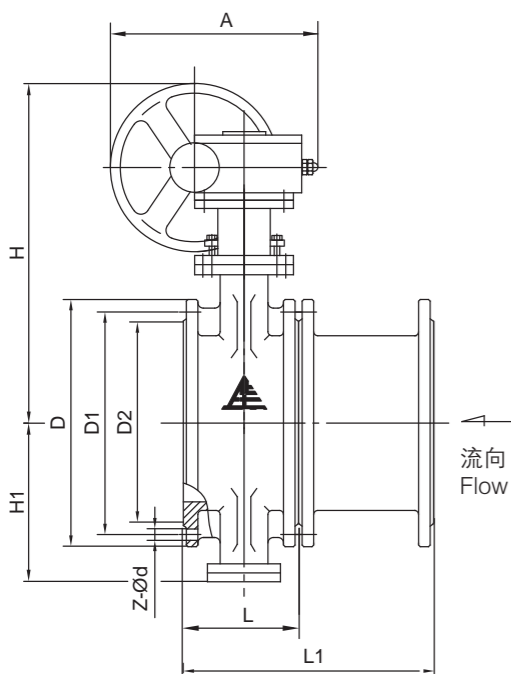
九 NMD3C-16C NMD3C-25

耐磨蝶阀

Wear resistant butterfly valve



专利号: ZL 2009 20208500.9



产品特点

- 采用三偏心蝶阀，分段轴设计，流通能力大，流阻小，减缓磨损，延长阀门使用寿命。
- 蝶板密封面采用隐藏式设计，避免介质直接冲刷损伤。
- 抗磨短节内设有特殊结构，在全开启状态下保护蝶板密封面免受冲刷。
- 高耐磨的阀座采用活接结构，用户可根据阀门磨损情况，方便更换，以降低用户生产使用成本。
- 阀门操作采用蜗轮传动，减轻蝶阀操作力矩，开关灵活，保护阀门安全运行。根据用户的需要可以提供气动或电动耐磨蝶阀。
- 适用介质范围广，更适用于风送、气送粉末颗粒介质。

Product feature

- Adopts triple eccentric butterfly valve, Subsection axle design, has big flow capacity, but with small Flow resistance, can Slow wear and Extend valve life.
- Hidden design for the valve seat seal surface, Avoid directly eroded by the medium damage
- Anti wear short section contains a seal structure, In full open position to protect disc sealing surface from scouring.
- High abrasion proof set of using live meet structure, Users can according to the valve wear, change Convenient, In order to reduce production cost of users.
- Valve operating adopts turbine transmission, Reduce butterfly valve operating torque, open and close smoothly, Protect the valve safety operation, According to the needs of user can provide pneumatic or electric wear-resisting butterfly valve.
- Applicable wide medium range, The more suitable for the wind to send, gas send powder particles medium.

性能规范 Performance standard

型号 Type	NMD3C-16C		NMD3C-25	
公称压力 Nominal Pressure	PN16		PN25	
实验压力 (MPa) Test Pressure	壳体强度 Shell test	2.4	3.8	
	高压密封 Seal test	1.8	2.8	
适用介质 Suitable medium	矿粉、浆液、水泥等 mineral powder, seriflux cement etc.			
适用温度 Suitable temperature	≤60°C			

NMD3C-16C NMD3C-25 主要外形与连接尺寸 Main Outline and Connecting Dimension

公称尺寸 DN	公称压力 PN	连接法兰尺寸 Flanged				外形尺寸 Dimensions				
		D	D1	D2	Z-Ød	L	L1	H	H1	Do
50	16	165	125	99	4-18	108	243	310	125	185
	25	165	125	99	4-18	108	243	310	125	185
65	16	185	145	118	4-18	112	256	320	130	185
	25	185	145	118	8-18	112	256	320	130	185
80	16	200	160	132	8-18	114	268	335	140	185
	25	200	160	132	8-18	114	268	335	140	185
100	16	220	180	156	8-18	127	300	345	155	185
	25	235	190	156	8-22	127	300	345	155	185
125	16	250	210	184	8-18	140	330	360	180	185
	25	270	220	184	8-26	140	330	360	180	185
150	16	285	240	211	8-22	140	338	450	195	280
	25	300	250	211	8-26	140	338	450	195	280
200	16	340	295	266	12-22	152	373	485	220	280
	25	360	310	274	12-26	152	373	485	220	280
250	16	405	355	319	12-26	165	418	525	240	280
	25	425	370	330	12-30	165	418	525	240	320
300	16	460	410	370	12-26	178	450	665	285	320
	25	485	430	389	16-30	178	450	665	285	320
350	16	520	470	429	16-26	190	480	690	315	320
	25	555	490	448	16-33	190	480	710	315	430
400	16	580	525	480	12-30	216	520	726	355	430
	25	620	550	503	16-36	216	520	755	355	430
450	16	640	585	548	20-30	222	540	790	385	430
	25	670	600	548	20-36	222	540	790	385	4230
500	16	715	650	609	20-33	229	560	810	430	430
	25	730	660	609	20-36	229	560	810	430	430
600	16	840	770	720	20-36	267	620	870	505	430
	25	845	770	720	20-39	267	620	920	505	580
700	16	910	840	794	24-36	292	736	1010	525	580
	25	960	875	820	24-42	292	736	1010	525	580
800	16	1025	950	901	24-39	318	790	1070	585	580
	25	1085	990	928	24-48	318	790	1070	585	760
900	16	1125	1050	1001	28-39	330	840	1126	635	760
	25	1185	1090	1028	28-48	330	840	1126	635	760
1000	16	1255	1170	1112	28-42	410	1010	1380	705	760
	25	1320	1210	1140	28-55	410	1010	1380	705	760

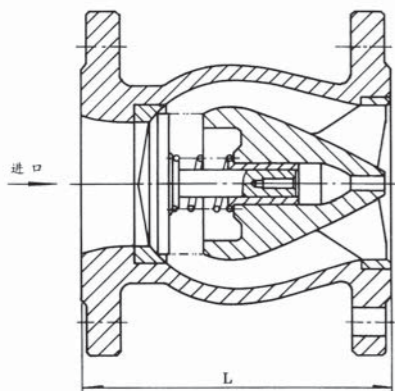
注：表中连接法兰尺寸按GB/T 9113的规定。
Note: The connections flange size according to GB/T 9113.

- 十 HC42H(T.X)-10 HC42H(T.X)-16
 HC42H(T.X)-25 HC42H-40
 HC42H-63 HC42H-100

轴流式止回阀
 Check valve for calm sound



专利号: ZL 2009 2078120.8



结构及用途

该阀由阀体、阀座、导流体、阀瓣、轴瓦及弹簧等零件组成。内部流道采用流线型设计, 压力损失小, 阀瓣启闭行程很短, 停泵时可快速关闭, 防止巨大的水锤声, 形成静音效果。该阀主要用于给水、排水、消防、暖通系统、石化、电力等工业项目, 可安装于水泵出口处, 防止介质倒流及水锤对设备的损坏。

Structure and purpose

The valve is made up of body, valve seat, guidedvane, disc, bearing bush and spring etc. The inner gangway in designed to streamline, the losing pressure is little, the route of disc open-close is short. When the pump stops, the valve can close rapidly to prevent huge water hammer noise. The valve is applicable to the system of water supply and drainage, fire control and heating. It can be fixed in the outlet of pump to prevent the reflux medium and the water hammer from destroying the pump.

主要技术参数 Main technology parameters

公称压力 Nominal pressure	PN10	PN16	PN25	PN40	PN63	PN100
最高工作压力(MPa) Highest working pressure	1.0	1.6	2.5	4.0	6.3	10
密封试验压力 (MPa) Sealing test pressure	1.1	1.76	2.75	4.4	6.93	11
壳体试验压力(MPa) Shell test pressure	1.5	2.4	3.75	6	9.45	15
适用介质 Suitable medium	蒸汽、水、油品 Vapour, Water, Oil					
介质温度 Medium temperature	X<80°C,T≤150°C,H≤400°C					

主要零件材料 Main part materials

零件名称 Name	材质 Material
阀体、导流体 Body, Guidvane	铸铁、铸钢、不锈钢 Cast iron, Cast steel, stainless steel
阀座、轴瓦、阀瓣、轴 Valve seat, bearing bush Disc, Axis	铸钢、青铜、不锈钢 Cast steel, Bronze or stainless steel
弹簧 Spring	不锈钢 Stainless steel

主要外形尺寸 Main exterior dimensions

公称通径(DN) Nominal dimension	L(mm)
50	120
65	150
80	180
100	240
125	300
150	350
200	450
250	500
300	550
350	572
400	600
450	650
500	700

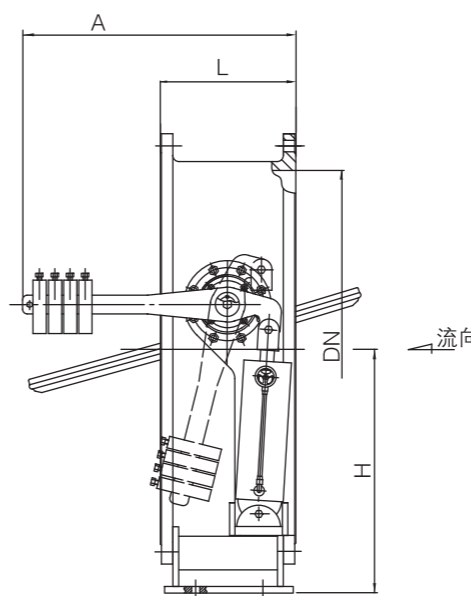
法兰连接尺寸: 铁制阀门按GB/T 17241.6-1998标准, 钢制阀门按GB/T 9113-2010(RF)标准。
 Flange connecting dimension: The iron valve accords to GB/T 17241.6-1998 standard and the steel valve to GB/T 9113-2010(RF)standard.

- 十一 HH47H(X)-10 HH47H(X)-16
 HH47H(X)-25

蝶式缓闭止回阀(管力阀)
 Slow close butterfly check valve (Automatic valve)



专利号: ZL 2009 20078124.6



结构及用途

HH47H(X)型蝶式缓闭止回阀, 又名: 管力阀。主要用于工业供水、污水处理厂的水泵出口处, 防止管网中介质逆流。自动消除破坏性水锤, 从而保证水泵和管路不受损坏。该阀主要有阀体、阀瓣、缓冲装置和微量调节阀组成。该产品具有结构新颖、体积小、流体阻力小、运行平稳、密封可靠、耐冲刷、耐磨损、缓闭性能好等特点。

Structure and purpose

HH47H(X) Butterfly check valve for buffering is applicable to the pump outlet of water supply and drainage, sewage work in industries, it can prevent medium of pipe network from reflux and eliminate deatructive water hammer to ensure that the water pump and pipeline run safely. The valve is made up of body, disc, buffer unit and regulating valve. It has characteristics of neoteric structure, small volume, light weight, reliable sealing, enduring abrasion, good buffering performance.

主要零件材料 Main part materials

零件名称 Name	材料 Material
阀体 Body	铸铁、铸钢 Cast iron, Cast steel
蝶板 Butterfly disc	铸铁、铸钢、球铁 Cast iron, Cast steel, Nodular cast iron
密封圈 Sealing ring	丁腈耐油橡胶、不锈钢 NBR, Stainless steel
阀杆 Spindle	不锈钢 Stainless steel
填料 Filling	聚四氟乙烯 PTFE 橡胶NBR

主要技术参数 Main technology parameters

型号 Type	HH47H(X)			
公称压力 Nominal Pressure	PN10	PN16	PN25	
实验压力 (MPa) Test Pressure	壳体 Shell	1.5	2.4	3.75
	密封 Seal	1.1	1.76	2.75
工作压力(MPa) Working pressure	1.0	1.6	2.5	
介质温度 Medium temperature	≤80°C			
适用介质 Suitable medium	清水、污水、海水 Pure water, Sullage Seawater			

主要外形尺寸 Main exterior dimensions

公称通径(DN) Nominal dimension	200	250	300	350	400	450	500	600	700	800	900	1000	1200	1400
尺寸 Dimension (mm)	L	152	165	178	190	216	222	229	267	292	318	330	410	530
	H							420	530	610	700	710	810	980
	A	400	400	450	450	450	600	600	600	765	765	765	1135	1135

法兰连接尺寸: 铁制阀门按GB/T 17241.6-1998标准, 钢制阀门按GB/T 9113-2010(RF)标准。
 Flange connecting dimension: The iron valve accords to GB/T 17241.6-1998 standard and the steel valve to GB/T 9113-2010(RF)standard.

十二

HHT947H(X)-10C HHT947H(X)-16C
HHT947H(X)-25

电液控多功能蝶式止回阀
Check valve with electric-hydraulic actuator



结构及用途

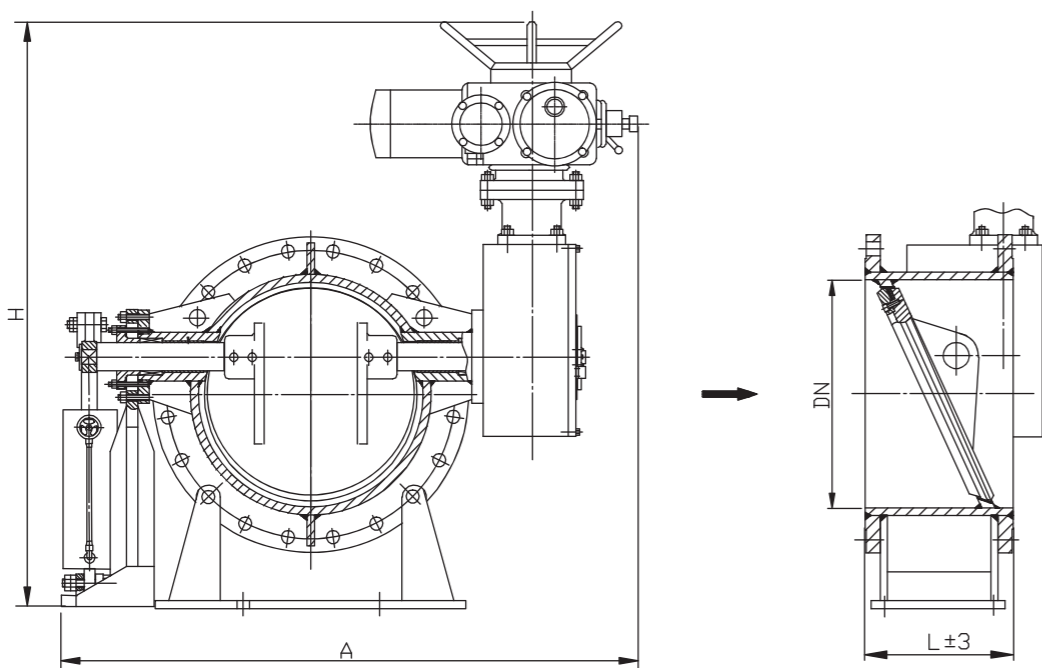
- 电液控多功能蝶式止回阀由阀体、斜置蝶板、缓闭液压缸和电动装置组成，阀门用于泵出口，防止介质逆向流动。
- 阀门采用液压缓闭缸控制系统，有效控制阀门在停泵时自动三级缓闭，消除水锤压力。
- 阀门设置电动控制机构，可以与泵实现电气联动。用户配置相应的仪表和控制元件，阀门可以实现延时开阀、定压开阀、强制关阀等多种功能。如果用户需要还可以配置调节型电装用于调节流量。

Structure and purpose

- This valve is made of the body, tilted disc, slow close hydraulic cylinder and electric actuator, which is used in the outlet of pump to prevent medium from flowing back.
- The control system of hydraulic slow close cylinder is adopted by valve, which will control the valve by the mode of third class slow closing automatically when the pump is ceased, reducing the pressure of water hammer.
- Electric control outfit is set by valve, which could be linked with pump electrically. The users could configure relevant meters and control components in order to implement several functions, such as opening delay, rated pressure to open the valve, compelling to shut off the valve etc. The regulating electric actuator could be configured if the users need to regulate the flow.



专利号：ZL 2009 200781265



标准规范 Standard Specification

专利号 Patent number	结构长度 Face to face dimension	法兰连接尺寸 Connecting dimension of flange end	压力试验 The Pressure test
ZL2009200781265	GB/T 12221	GB/T 9113-2010, GB/T 17241.6-1998	GB/T 13927

主要零件材料 Main part materials

型号 Type	HHT947H(X)-10C	HHT947H(X)-16C	HHT947H(X)-25
工作压力 Working pressure	≤1.0 Mpa	≤1.6 Mpa	≤2.5 Mpa
适用温度 Temp	H型: ≤300℃		X型: ≤80℃
适用介质 Media	H型: 水、蒸汽、油品等 Water, steam, Oil etc		X型: 水、油品等 Water, Oil etc
材 料 Material			
阀体、阀盖 Body, Bonnet	H型: 铸钢、碳钢焊接 Cast steel,		X型: 铸铁 Cast iron、碳钢 Cast steel
阀瓣 Disc			
密封面 Seal face	H型: 金属 Metal - 金属 Metal		X型: 橡胶 NBR - 金属 Metal

主要外形尺寸 Main exterior dimensions

公称压力	PN10 PN16							公称压力	PN25							
	DN	L	H	A	DN	L	H		A	DN	L	H	A	DN	L	H
	300	270	1160	980	900	510	1520	1780	300	270	1160	980	900	510	1590	1840
	350	290	1160	1050	1000	550	1600	1920	350	290	1160	1050	1000	550	1670	1990
	400	310	1160	1110	1100	630	1710	2030	400	310	1160	1110	1100	630	1750	2130
	450	330	1160	1170	1200	630	1830	2160	450	330	1160	1170	1200	630	1920	2280
	500	350	1210	1250	1400	710	1960	2390	500	350	1210	1250	1400	710	2060	2510
	600	390	1440	1400	1600	790	2120	2510	600	390	1440	1400	1600	790	2210	2660
	700	430	1440	1520	1800	870	2300	2750	700	430	1440	1520	1800	870	2430	2940
	800	470	1480	1650	2000	950	2560	2980	800	470	1480	1650	2000	950	2650	3160

法兰连接尺寸：铁制阀门按GB/T 17241.6-1998标准，钢制阀门按GB/T 9113-2010(RF)标准。
Flange connecting dimension: The iron valve accords to GB/T 17241.6-1998 standard and the steel valve to GB/T 9113-2010(RF) standard.

十三 DHT $\frac{3}{6} \frac{45}{9} \frac{H}{G} - \frac{10}{16} C(Q \cdot P \cdot R \cdot Z)$

法兰式双向密封高性能蝶阀 Flange two-way seal high performance butterfly valve



用途 Use

本蝶阀适用于需要双向密封、频繁启闭、高可靠性要求的食品、饮料、医药、化工等纯净管路和石化、电力、冶金、交通、大型建筑等领域的重要管道。阀门作启闭或调节流量用，驱动方式有蜗轮手动、气动、电动可供选择。

The valve is suitable used in on-off or regulating flow in these fields such as foodstuff, beverage, medicine and chemical engineering etc, purified pipelines and petroleum chemical, power station, metallurgy, traffic and large building etc, key pipelines which need two-way seal, frequent on-off and high performance. There are worm gear, pneumatic and electric actuators.

结构特点 Feature

本蝶阀采用高性能复合材料密封副，或者堆焊合金钢密封副，零泄漏、长寿命。独创的浮动阀座结构确保了阀门的双向密封，彻底解决了偏心蝶阀只能单向密封的问题。本蝶阀即有三偏心蝶阀的所有优点，又具有高可靠的双向密封。

The valve adopts high performance composite material as seal or deposit welding alloy steel as seal with zero leakage and long service life. The particular float seat ensure two-way seal, and completely solves the problem one-way seal eccentric valve. The valve not only owns all the merits of triple eccentric butterfly valve but also has two-way and dependable seal.

采用标准 Adoptive standard

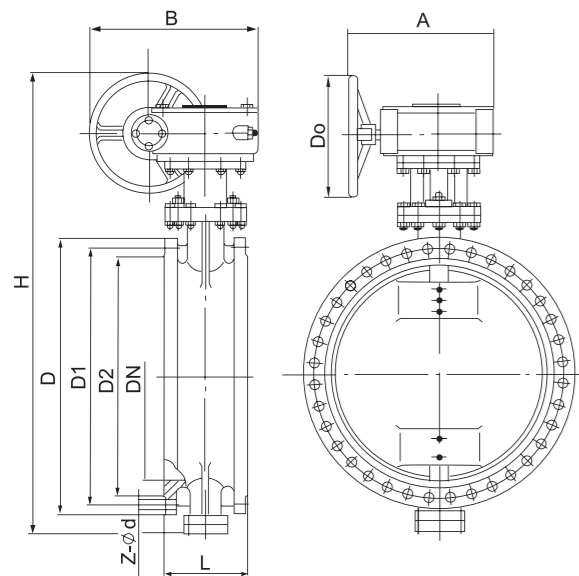
设计与制造 Design and manufacture	GB/T12238
法兰连接尺寸 Flange dimension	GB/T 9113-2010; GB/T17241.6-1998; JB/T82.1-1994
结构长度 Face-to-face dimension	GB/T 12221
试验与检验 Inspect and Test	GB/T 13927, JB/T9092

主要技术参数 Specification

公称口径 DN(mm) Nominal diameter	50-2000	50-1600	50-1200	
公称压力 PN(Mpa) Nominal pressure	PN10	PN16	PN25	
试验压力 PS(Mpa) Test pressure	强度试验 Shell test	1.5	2.4	3.75
	密封试验 Seal test	1.1	1.76	2.75
适用介质 Suitable medium	水、气体、油品、纯净介质、腐蚀性介质 Water, Steam, Oil, pure media, Corrosive media			
适用温度 Suitable temperature	≤ 200°C			

主要零部件材料 Main parts material

名称 Name	材料 Material
阀体 Body	HT250, QT500-7, WCB, 碳钢焊接, ZG1Cr18Ni9Ti, ZG0Cr18Ni12Mo2Ti, CF8, CF8M, CF3, CF3M
阀板 Disc	QT500-7, WCB, ZG1Cr18Ni9Ti, CF3, CF8, ZG0Cr18Ni12Mo2Ti, CF8M, CF3M
阀杆 Shaft	1Cr13, 2Cr13, 1Cr18Ni9Ti, 1Cr18Ni12Mo2Ti, 304, 316, 316L
阀座 Seat	高性能复合材料, 堆焊合金钢 High performance compound material, deposit welding alloy steel
填料 Packing	柔性石墨环, 夹丝柔性石墨编织填料, 聚四氟乙烯编织填料, 碳纤维编织填料 Gentle graphite ring, inserted gentle graphite packing, teflon and knit packing, carbon fiber and knit packing



专利号: ZL 2006 20044896.4
ZL 2009 20078125.0

型号编制说明 How to order

D	HT	3	6	4	5	H	10	16	25	Q	Z	C	P	R
蝶阀 Butterfly valve	专用型号 Specific sign	蜗轮手动 Worm gear	气动 Pneumatic	电动 Electric	法兰式 Flange	偏心式 浮动阀座 Eccentric float seat	高性能复合材料 High performance compound material	堆焊合金钢 Deposit welding alloy steel	1.0MPa 1.6MPa 2.5MPa	CF8, CF3 ZG1Cr18Ni9Ti 304, 304L	CF8M, CF3M ZG0Cr18Ni12Mo2Ti 316, 316L	碳钢 WCB Cast steel	HT250 Cast iron	QT500-7 Ductile iron

DHT $\frac{3}{6} \frac{45}{9} \frac{H}{G} - 10C(P \cdot R \cdot Z \cdot Q)$ 系列连接尺寸 Connecting dimension

通径(DN)	L	D ₁	D	Z-φd	H	H ₀	A	B	D ₀	Wt/kg
50	108	125	165	4-18	125	435	181	183	160	30
65	112	145	185	4-18	130	439	181	183	160	37
80	114	160	200	8-18	140	475	181	183	160	45
100	127	180	220	8-18	155	495	181	183	160	74
125	140	210	250	8-18	180	535	181	183	160	100
150	140	240	285	8-22	195	645	262	279	230	110
200	152	295	340	8-22	220	703	262	279	230	150
250	165	350	395	12-22	240	765	262	279	230	190
300	178	400	445	12-22	285	948	320	368	300	230
350	190	460	505	16-22	315	1005	320	368	300	290
400	216	515	565	16-26	355	1078	419	469	350	350
450	222	565	615	20-26	385	1175	419	469	350	450
500	229	620	670	20-26	430	1240	419	469	350	550
600	267	725	780	20-30	505	1375	419	469	350	710
700	292	840	895	24-30	525	1536	540	526	450	850
800	318	950	1015	24-33	585	1656	540	526	450	1100
900	330	1050	1115	28-33	635	1761	660	593	450	1300
1000	410	1160	1230	28-36	705	2110	660	593	500	1600
1200	470	1380	1455	32-39	835	2910	660	593	500	1980
1400	530	1590	1675	36-42	975	2560	600	526	450	2840
1600	600	1820	1915	40-48	1100	2780	600	526	450	4500
1800	670	2020	2115	44-48						5800
2000	760	2230	2325	48-48						8600

DHT $\frac{3}{6} \frac{45}{9} \frac{H}{G} - 16C(P \cdot R \cdot Z \cdot Q)$ 系列连接尺寸 Connecting dimension

通径(DN)	L	D ₁	D	Z-φd	H	H ₀	A	B	D ₀	Wt/kg
50	108	125	165	4-18	125	435	181	183	160	30
65	112	145	185	4-18	130	439	181	183	160	37
80	114	160	200	8-18	140	475	181	183	160	45
100	127	180	220	8-18	155	495	181	183	160	75
125	140	210	250	8-18	180	535	181	183	160	105
150	140	240	285	8-22	195	645	262	279	230	115
200	152	295	340	12-22	220	703	262	279	230	160
250	165	355	405	12-26	240	765	262	279	230	220
300	178	410	460	12-26	285	948	320	368	300	260
350	190	470	520	16-26	315	1005	320	368	300	340
400	216	525	580	16-30	355	1078	419	469	350	410
450	222	585	640	20-30	385	1175	419	469	350	490
500	229	650	715	20-33	430	1250	419	469	350	600
600	267	770	840	20-35	505	1375	419	469	350	780
700	292	840	910	24-36	525	1536	540	526	450	960
800	318	950	1025	24-39	585	1656	540	526	450	1160
900	330	1050	1125	28-39	635	1761	660	593	450	1500
1000	410	1170	1255	28-42	705	2110	660	593	500	1800
1200	470	1390	1485	32-48	835	2910	660	593	500	2300
1400	530	1590	1685	36-48						3150
1600	600	1820	1930	40-55						4950

注: 表中法兰连接尺寸按GB/T 9113的规定 Note: Connection flange size according to GB/T 9113

十四 3 10 C (P-R) 3 10 C (P-R) 对夹式双向密封高性能蝶阀
 DHT675^H_G - 16 C (P-R) LDHT675^H_G - 16 C (P-R) wafer two-way seal high performance butterfly valve
 9 25 C (P-R) 9 25 C (P-R)



通用对夹式外形结构图

专利号: ZL 2006 20044896.4
 ZL 2009 20078125.0



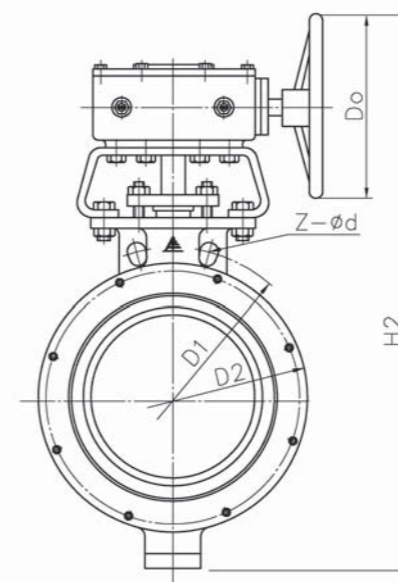
凸耳对夹式外形结构图

产品特点

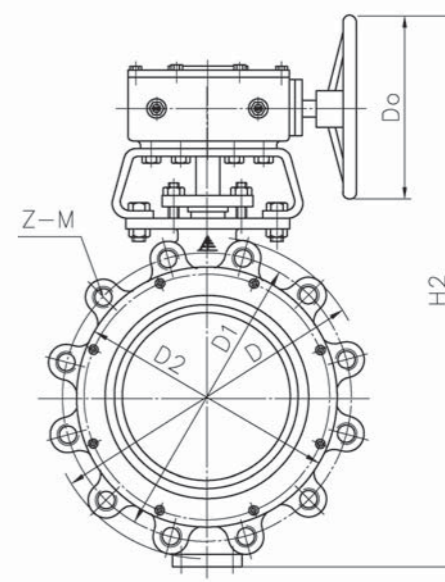
- 阀门用于需要双向密封、频繁启闭、高可靠性要求的管道系统，特别适用于食品、饮料、医药、化工等纯净管路和石化、电力、冶金、交通、大型建筑等领域的重要管道，作启闭或调节介质流量用。
- 阀门采用高性能复合材料密封副，或者堆焊合金钢密封副，耐腐蚀、零泄漏、长寿命。独创的浮动阀座结构确保了阀门的双向密封，彻底解决了偏心蝶阀只能单向密封的问题。本阀门既有三偏心蝶阀的所有优点，又具有高可靠的双向密封性能。
- 阀门有通用对夹式和凸耳对夹式二种连接方式；有蜗轮手动、电动及气动三种驱动方式可供用户选择。选用电动蝶阀应在合同中详细注明电动装置的性能要求；选用气动蝶阀应在合同中注明所需配件明细，气动装置有电磁换向阀、气源三联件、信号盒、手动机构、定位器等配件可供选用。

Product feature

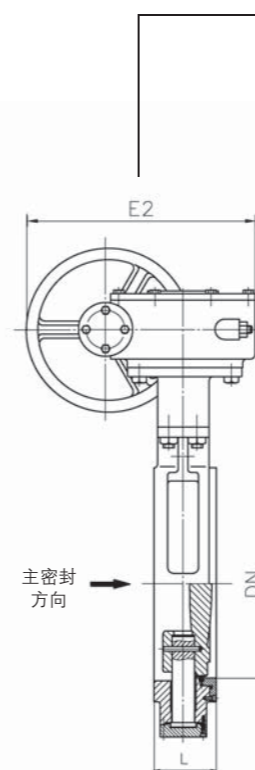
- The valve is used in pipeline system where is bi-directional tight, frequent operated and high reliability, especially in purified pipelines of food, beverage, medical and chemical and key pipelines of petroleum chemical, power station, metallurgy, traffic and large building acting as on-off and regulating.
- The seal of valve is high performance compound material or deposit welding alloy, which is anti-corrosive, zero leakage and has long shelf life. The unique floating seat ensures bi-directional tight and solves single seal problem of offset butterfly valve. This valve has all the merits of triple offset butterfly valve, also has high reliable, two-way seal performance.
- The connecting is wafer and lug, and the driving is worm gear, electric actuator and pneumatic actuator. Electric butterfly valve should be noted the detailed specifications of performance requirements of electric actuator in the sales order. Pneumatic butterfly valve also should be remarked whether need solenoid directional valve, 3 air supply accessories, limit switch, manual operator, positioner or not in the sales order.



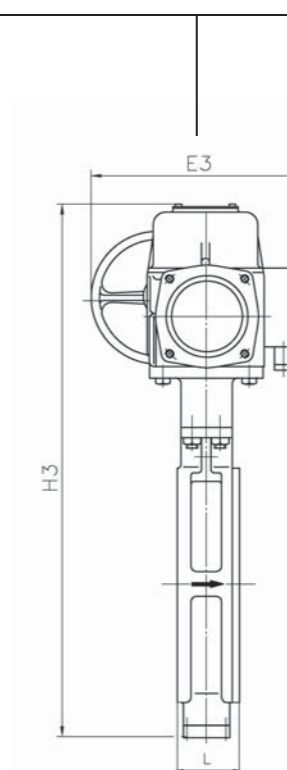
通用对夹式DHT375型
结构图



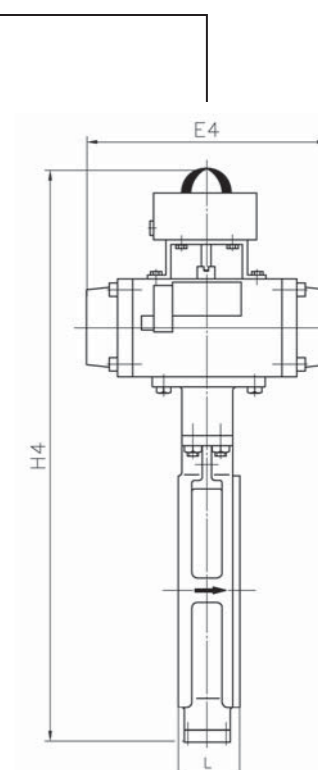
凸耳对夹式LDHT375型
结构图



蜗轮手动DHT375型



电动DHT975型



气动DHT675型

产品标准 Products Standard

设计与制造 Design and Manufacture	结构长度 Face to Face	法兰连接尺寸 Flange Connecting Dimension	压力试验 Pressure Test
GB/T 12238 API 609	GB/T 12221	GB/T 9113-2010	GB/T 13927 API 598

性能规范 Performance standard

公称直径 Nominal Diameter	DN50~800	DN50~800	DN50~600	
公称压力 Nominal Pressure	PN10	PN16	PN25	
试验压力 (MPa) Test Pressure	壳体强度 Shell	1.5	2.4	3.8
	气体密封 Seal	双向0.6	双向0.6	双向0.6
	高压密封 Seal	主向1.1	主向1.8	主向2.8
工作压力 (MPa) Working Pressure	≤1.0	≤1.6	≤2.5	

主要零部件材料及适用范围 Main Parts Material and Applicable Scope

型号Model	3 10 C DHT675G - 16 C LD 9 25 C	3 10 C DHT675H - 16 C LD 9 25 C	3 10 P(R) DHT675 ^H _G - 16 P(R) LD 9 25 P(R)
适用介质Media	水、气体、油品等 Water, Gas, Oil	水、蒸汽、油品等 Water, Gas, Oil	腐蚀性介质、纯净介质 Corrosive Media, Purified Media
适用温度Temp	≤200°C	≤200°C	≤200°C
材料 Material			
阀体Body	碳钢Carbon Steel: 铸钢Cast Steel WCB	碳钢Carbon Steel: 铸钢Cast Steel WCB	不锈钢Stainless Steel: CF8; ZG1Cr18Ni9Ti (CF8M)
蝶板Disc	碳钢Carbon Steel: 铸钢Cast Steel WCB	碳钢Carbon Steel: 铸钢Cast Steel WCB	不锈钢Stainless Steel: CF8; ZG1Cr18Ni9Ti (CF8M)
密封圈Seal Ring	高性能复合材料 High performance compound material	密封面堆焊Cr13合金 Deposit welding alloy Cr13	G型-高性能复合材料 G type - High performance compound material H型-不锈钢 304 Stainless Steel 304 (316)
阀杆Spindle	不锈钢Stainless Steel: 2Cr13	不锈钢Stainless Steel: 2Cr13	不锈钢Stainless Steel: 304; 1Cr18Ni9Ti (316)
填料Packing	柔性石墨 Flexible Graphite	柔性石墨 Flexible Graphite	柔性石墨Flexible Graphite; 聚四氟乙烯Teflon

主要外形与连接尺寸 Main Outline and Connecting Dimension

DN	PN	L	对夹连接法兰 Flanged					蜗轮手动Worm Gear			重量Weight DHT375 型重量Kg	电动Electric		气动Pneumatic	
			D	D1	D2	Z-∅d	凸耳式螺孔 Z-M	Do	E2	H2		E3	H3	E4	H4
50	10\16 \25	43	165	125	99	4-18	4-M16	160	185	418	13	308	575	185	443
	10\16 25	46	185	145	118	8-18	8-M16	160	185	446	16	308	600	185	467
65	10\16 25	46	185	145	118	8-18	8-M16	160	185	446	17	308	600	240	473
	10\16 25	49	200	160	132	8-18	8-M16	160	185	453	23	308	610	240	495
80	10\16 25	49	200	160	132	8-18	8-M16	160	185	453	23	308	610	285	525
	10\16 25	56	220	180	156	8-18	8-M16	160	185	475	28	308	630	285	540
100	10\16 25	56	235	190	156	8-22	8-M20	160	185	475	28	308	630	340	598
	10\16 25	64	250	210	184	8-18	8-M16	160	185	522	34	308	680	340	622
125	10\16 25	64	270	220	184	8-26	8-M24	160	185	522	35	308	680	340	622
	10\16 25	70	285	240	211	8-22	8-M20	230	280	590	38	308	760	340	685
150	10\16 25	70	300	250	211	8-26	8-M24	230	280	590	40	406	830	445	718
	10 25	71	340	295	266	8-22	8-M20	230	280	650	41	308	805	340	750
200	16 25	71	340	295	266	12-22	12-M20	230	280	650	44	406	895	445	785
	16 25	71	360	310	274	12-26	12-M24	230	280	650	50	406	895	445	785
250	10 16 25	76	395	350	319	12-22	12-M20	230	280	720	54	308	965	690	943
	16 25	76	405	355	319	12-26	12-M24	300	375	760	63	406	1050	690	943
	16 25	76	425	370	330	12-30	12-M27	300	375	760	68	406	1050	690	943
300	10 16 25	83	445	400	370	12-22	12-M20	300	375	836	70	406	1107	690	1000
	16 25	83	460	410	370	12-26	12-M24	300	375	836	73	406	1107	690	1000
	16 25	83	485	430	389	16-30	16-M27	300	375	836	80	406	1107	690	1000
350	10 16 25	92	505	460	429	16-22	16-M20	300	375	990	96	406	1140	690	1035
	16 25	92	520	470	429	16-26	16-M24	300	375	990	110	406	1140	690	1035
	16 25	92	555	490	448	16-33	16-M30	300	375	990	120	513	1200	820	1076
400	10 16 25	102	565	515	480	16-26	16-M24	350	400	1060	125	406	1220	690	1115
	16 25	102	580	525	480	16-30	16-M27	350	400	1060	135	513	1256	820	1170
	16 25	102	620	550	503	16-36	16-M33	350	400	1060	150	513	1256	820	1170
450	10 16 25	114	615	565	530	20-26	20-M24	350	400	1150	190	513	1285	820	1235
	16 25	114	640	585	548	20-30	20-M27	350	400	1150	210	513	1285	820	1235
	16 25	114	670	600	548	20-36	20-M33	350	400	1150	230	513	1285	1200	1280
500	10 25	127	670	620	582	20-26	20-M24	400	496	1230	240	513	1370	820	1340
	16 25	127	715	650	609	20-33	20-M30	400	496	1230	270	513	1370	820	1340
600	10 16 25	127	730	660	609	20-36	20-M33	400	496	1230	290	548	1430	1200	1385
	10 16	154	780	725	682	20-30	20-M27	400	496	1360	370	513	1525	820	1480
	16 25	154	840	770	720	20-36	20-M33	450	637	1440	460	548	1585	1200	1530
700	10 16	154	845	770	720	20-39	20-M36	450	637	1440	490	548	1585	1200	1530
	10 16	165	895	840	794	24-30	24-M27	450	637	1550	460	548	1735	1380	1645
	16	165	910	840	794	24-36	24-M33	450	637	1550	600	548	1735	1380	1645
800	10 16	190	1015	950	901	24-33	24-M30	450	637	1665	590	548	1880	1380	1760
	16	190	1025	950	901	24-39	24-M36	450	637	1665	700	548	1880	1380	1760

十五 DK9K44H-10C; 16C(Mn)
DK9K64H-10C; 16C(Mn)

电动快速启闭蝶阀
Electric quick shut off butterfly valve



产品特点

- 阀门适用于石油、化工、冶金、电力等工业部门，作快速启闭用。
- 阀门采用特制高速电动装置，阀门可选择启闭时间 2~5 秒。
- 阀门有对焊连接式和法兰连接式两种连接方式可供用户选择。
- 阀门采用不锈钢层叠型密封副，耐腐蚀、耐高温。

Product feature

- The valves are used in petroleum, chemical, metallurgy and power plant for quick shutting off.
- The valves adopt high speed electric equipment, which can choose 2-5 seconds open & close time.
- The customer has two options for butt weld type or flange type valve.
- The valves use stainless steel lamilated type seat ,which can bear corrosion and high temperature.

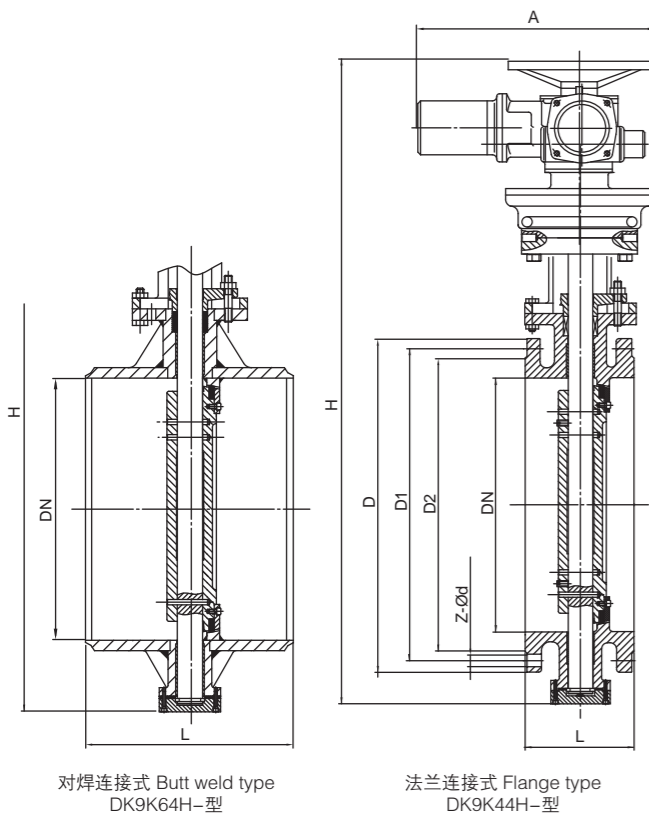
产品标准 Products Standard

设计与制造	JB/T 8527
结构长度	GB/T 12221
法兰连接尺寸	GB/T 9113
对焊连接尺寸	GB/T 12224
压力试验 Pressure Test	GB/T 13927

性能规范 Performance standard

公称压力 Nominal Pressure	PN10	PN16	
实验压力 (MPa) Test Pressure	壳体强度 Shell test	1.5	2.4
	高压密封 Seal test	1.1	1.76
适用介质 Suitable medium	气体、油品 Gas,Oil		
适用温度 Suitable temperature	碳钢Carbon Steel: 400℃ 锰钢Manganese steel: 450℃		

专利号: ZL 2009 20078125.0



主要外形与连接尺寸 Main Outline and Connecting Dimension

公称尺寸 DN	公称压力 PN	DK9K44H型							DK9K64H型			
		D	D1	D2	Z-Ød	L	H	A	L	H	A	钢管外径
300	10	505	460	429	16-22	178	1100	460	270	1100	460	325
	16	520	470	429	16-26	178	1100	460	270	1100	460	325
350	10	565	515	480	16-26	190	1210	460	290	1210	460	377
	16	580	525	480	16-30	190	1210	460	290	1210	460	377
400	10	615	565	530	20-26	216	1330	460	310	1330	460	426
	16	640	585	548	20-30	216	1330	460	310	1330	460	426
450	10	670	620	582	20-26	222	1460	500	330	1460	500	480
	16	715	650	609	20-33	222	1460	500	330	1460	500	480
500	10	780	725	682	20-30	229	1950	500	350	1950	500	530
	16	840	770	720	20-36	229	1950	500	350	1950	500	530
600	10	895	840	794	24-30	267	2050	500	390	2050	500	630
	16	910	840	794	24-36	267	2050	500	390	2050	500	630
700	10	1015	950	901	24-33	292	2280	560	430	2280	560	720
	16	1025	950	901	24-39	292	2280	560	430	2280	560	720
800	10	1115	1050	1001	28-33	318	2390	560	470	2390	560	820
	16	1125	1050	1001	28-39	318	2390	560	470	2390	560	820
900	10	1230	1160	1112	28-36	330	2570	696	510	2570	696	920
	16	1255	1170	1112	28-42	330	2570	696	510	2570	696	920
1000	10	1455	1380	1328	32-39	410	2890	696	550	2890	696	1020
	16	1485	1390	1328	32-48	410	2890	696	550	2890	696	1020

主要零件材料 Main part materials

型号 Model	阀体、蝶板 Body, Disc	阀座密封面	板密封圈	阀杆 Spindle	填料 Packing
DK9K44H-10C DK9K44H-16C	铸钢Cast Steel WCB	硬面不锈钢 Hardface SS	层叠型 Lamilated type	不锈钢 Stainless Steel: 2Cr13	柔性石墨 Flexible Graphite
DK9K64H-10C DK9K64H-16C		堆焊 D507Mo Weld D507Mo	不锈钢 Stainless Steel: 304		
DK9K44H-10Mn DK9K44H-16Mn	锰钢Manganese steel	硬面不锈钢 Hardface SS	层叠型 Lamilated type	不锈钢 Stainless Steel: 2Cr13	柔性石墨 Flexible Graphite
DK9K64H-10Mn DK9K64H-16Mn	Q345D	堆焊 D507Mo Weld D507Mo	不锈钢 Stainless Steel: 304		

十六 JHT41Y-150Lb JHT41Y-300Lb

整体锻造美标截止阀
Solid forging American standard globe valve

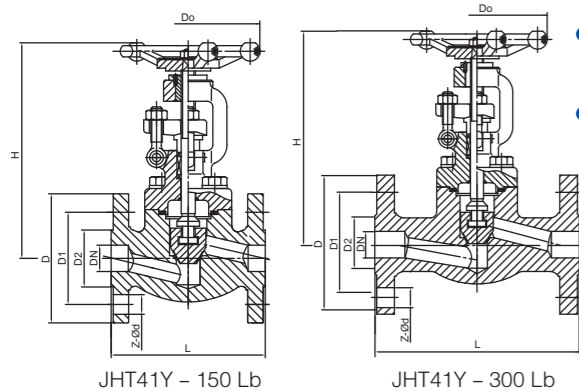


产品特点

- 阀门的两端法兰与阀体整体模锻而成，壳体强度远超过常规焊接式法兰锻钢阀，在相同材质、相同壁厚情况下，阀门的承压能力是焊接式法兰锻钢阀的1.5倍以上。阀门材质为ASTM A105。
- 阀体没有焊缝，不会有焊接式法兰锻钢阀存在的材质不均匀、焊接应力大及各种焊接缺陷，因此阀门的耐腐蚀能力明显提高，阀门的使用安全性和整体寿命都得到了提升。
- 阀门按API 602的规定设计制造，造型美观、结构先进、性能优异，投产以来深得各界用户好评。

Product feature

- Valve flanges and body are the whole die forging, shell strength is far more than conventional welded flange forging steel valve, in the case of the same material, and the same wall thickness, the valve pressure ability is 1.5 times or more as welded flange forging steel Valve. The valve material is ASTM A105.
- The body has not weld joint, there is not material uneven which exists in the welded flange forging steel valve, and not big welding stress and all kinds of welding defects, so the valve can obviously improve the corrosion resistance, the valve use safety and the whole life are improved.
- The valves design and manufacture according to API 602, beautiful shape, advanced structure and outstanding performance, which get high praise from users.



JHT41Y - 150 Lb

JHT41Y - 300 Lb

主要零件材料 Main part materials

阀体Body	锻钢: A105 密封面堆焊司太立合金
阀盖Cover	锻钢: A105
阀瓣Disc	不锈钢Stainless steel: 304 密封面堆焊司太立合金
阀杆Shaft	不锈钢Stainless steel: 316
上法兰垫片 Upper flange gasket	缠绕垫: 304/柔性石墨 Wound pad :304/Flexible Graphite
填料Packing	柔性石墨 Flexible Graphite

产品标准 Products Standard

设计与制造 Design and manufacture	API 602
结构长度 Face-to-face dimension	ASME B16.10
法兰连接尺寸 Flange dimension	ASME B16.5
试验与检验 Inspect and Test	API 598

JHT41Y-150Lb

公称尺寸	尺寸 mm							
DN	NPS	L	D	D1	D2	z-Ød	H	Do
15	1/2	108	89	60.5	35	4-15	160	105
20	3/4	117	98	70	43	4-15	160	105
25	1	127	108	79.5	51	4-15	195	125
40	1 1/2	165	127	98.5	73	4-15	230	160
50	2	203	152	120.5	92	4-19	268	180

JHT41Y-300Lb

公称尺寸	尺寸 mm							
DN	NPS	L	D	D1	D2	z-Ød	H	Do
15	1/2	152	95	66.5	35	4-15	160	105
20	3/4	178	117	82.5	43	4-19	160	105
25	1	203	124	89	51	4-19	195	125
40	1 1/2	229	156	114.5	73	4-22	230	160
50	2	267	165	127	92	8-19	268	180

性能规范 Performance standard

压力等级 Nominal Pressure	Class 150	Class 300	
实验压力 (MPa) Test Pressure	壳体强度 Shell test	3.0	7.8
	高压密封 Seal test	2.2	5.6
适用介质 Suitable medium	水、蒸汽、油品 (Water,Gas,Oil)		
适用温度 Suitable temperature	425°C		

十七 ZHT41Y-150Lb ZHT41Y-300Lb

整体锻造美标闸阀
Solid forging American standard gate valve

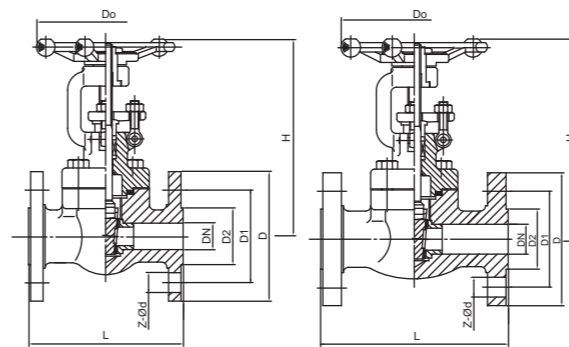


产品特点

- 阀门的两端法兰与阀体整体模锻而成，壳体强度远超过常规焊接式法兰锻钢阀，在相同材质、相同壁厚情况下，阀门的承压能力是焊接式法兰锻钢阀的1.5倍以上。阀门材质为ASTM A105。
- 阀体没有焊缝，不会有焊接式法兰锻钢阀存在的材质不均匀、焊接应力大及各种焊接缺陷，因此阀门的耐腐蚀能力明显提高，阀门的使用安全性和整体寿命都得到了提升。
- 阀门按API 602的规定设计制造，造型美观、结构先进、性能优异，投产以来深得各界用户好评。

Product feature

- Valve flanges and body are the whole die forging, shell strength is far more than conventional welded flange forging steel valve, in the case of the same material, and the same wall thickness, the valve pressure ability is 1.5 times or more as welded flange forging steel Valve. The valve material is ASTM A105.
- The body has not weld joint, there is not material uneven which exists in the welded flange forging steel valve, and not big welding stress and all kinds of welding defects, so the valve can obviously improve the corrosion resistance, the valve use safety and the whole life are improved.
- The valves design and manufacture according to API 602, beautiful shape, advanced structure and outstanding performance, which get high praise from users.



ZHT41Y - 150 Lb

ZHT41Y - 300 Lb

主要零件材料 Main part materials

阀体Body	锻钢: A105
阀盖Cover	锻钢: A105
阀座Seat	不锈钢Stainless steel: 304 密封面堆焊司太立合金
闸板Disc	不锈钢Stainless steel: 304 密封面堆焊司太立合金
阀杆Shaft	不锈钢: 316
上法兰垫片 Upper flange gasket	缠绕垫: 304/柔性石墨 Wound pad :304/Flexible Graphite
填料Packing	柔性石墨 Flexible Graphite

产品标准 Products Standard

设计与制造 Design and manufacture	API 602
结构长度 Face-to-face dimension	ASME B16.10
法兰连接尺寸 Flange dimension	ASME B16.5
试验与检验 Inspect and Test	API 598

ZHT41Y-150Lb

公称尺寸	尺寸 mm							
DN	NPS	L	D	D1	D2	z-Ød	H	Do
15	1/2	108	89	60.5	35	4-15	148	105
20	3/4	117	98	70	43	4-15	148	105
25	1	127	108	79.5	51	4-15	180	125
40	1 1/2	165	127	98.5	73	4-15	245	160
50	2	178	152	120.5	92	4-19	255	180

ZHT41Y-300Lb

公称尺寸	尺寸 mm							
DN	NPS	L	D	D1	D2	z-Ød	H	Do
15	1/2	140	95	66.5	35	4-15	148	105
20	3/4	152	117	82.5	43	4-19	148	105
25	1	165	124	89	51	4-19	180	125
40	1 1/2	190	156	114.5	73	4-22	245	160
50	2	216	165	127	92	8-19	255	180

性能规范 Performance standard

压力等级 Nominal Pressure	Class 150	Class 300	
实验压力 (MPa) Test Pressure	壳体强度 Shell test	3.0	7.8
	高压密封 Seal test	2.2	5.6
适用介质 Suitable medium	水、蒸汽、油品 (Water,Gas,Oil)		
适用温度 Suitable temperature	425°C		

重点推荐产品 (2)

序号	产品名称	产品型号	压力范围 PN(MPa)	通径范围 DN(mm)	备注	客户联系及业绩	
8	三偏心金属硬密封蝶阀	D363H - 6\10\16\25\40	0.6~4.0	600~2000	采用层叠与堆焊式密封面结构	惠东自来水厂 盐城水厂 大连水厂	
9	三偏心金属硬密封蝶阀	D34 (7)3H - 6\10\16\25	0.6~2.5	50~1600	采用U型圈与堆焊式密封面结构	福建三钢	
10	液控止回蝶阀	HD7X43 (RX)H - 6\10\16\25	0.6~2.5	400~3000	配套液液止回蝶阀	首钢集团曹妃甸项目	
11	液动快速启闭阀	HD743 (RX)H - 6\10\16\25	0.6~2.5	400~3000	配套液液止回蝶阀	闽东水电	
12	电动快速启闭阀	(O) YKQD743H - 6\10\16\25	0.6~2.5	200~1400	配套液液止回蝶阀	安徽大毫水厂 广州地铁	
13	变频调速电动蝶阀	BD943X(H) - 6\10\16\25	0.25~1.0	400~1800	配套变频调速装置	克拉玛依应急池工程/远东石化 中石化彭州80万吨乙烯	
14	电液控多功能蝶阀止回阀	HD79 ⁹ ₆ 4 ¹ ₃ H ^R - 6\10\16\20	0.6~2.0	300~4000	配套电液控、缓闭缸装置	阿尔斯通配套	
15	智能电动调节阀蝶阀	ZAJD (XFR)H(W) - 1\6\10\16\25	0.1~1.6	50~1400	配套智能型电动装置	嘉兴电厂/重庆双槐电厂	
16	智能气动调节阀蝶阀	6000 ^M _J - 0.25\1\6\10\16	0.025~1.6	150~1400	配套智能型气动装置	武钢1200℃蝶阀 苏州新光炉内阀	
17	(调节型) 高温烟气蝶阀	TD ⁹ _{6M} 41W - 1G TD ⁹ _{6M} 61W - 1G	0.05~0.1	300~2000	适应高温 1000℃, 泄露量 ≤1~3%	贵阳市政大楼/紫金矿业/吴泾 化工/洛瓦/简海/安徽华谊/远 东石化/印度客户/威海码头/曹 妃甸项目/新疆蒙鑫水泥	
18	双轴无销/单轴无销中心蝶阀	D ³ ₆ 7 ¹ _J - 10\16 D ³ ₆ 7 ¹ _J - 125\150LB	1.0~1.6	50~600	无销出口型	武钢/世博馆/世贸商城/1寨 车场/郑州银行/澳洲/美国	
19	液压缓闭止回阀(管阀)	HH47 ^X _H - 10\16\25	1.0~2.5	300~3000	配置液液止回装置	远东石化鲁西康鹏化学	
20	轴流止回阀	ACH41H(W) - 16\25\40\63\100\160	1.6~16.0	40~500	适应中高压管路消除水锤与噪声		
21	喷塑软密封闸阀	ZPS ⁴¹ ₄₅ X - 10\16	1.0~1.6	50~600	可提供国标, 美标, 澳标, 德标等		
22	钢制闸阀	Z4 (6)1W ^H _Y - 16\25\40\64\100	1.6~10.0	15~500	国标重型优质产品	鲁西化 中石化西北分公司 中 石油大连石化	
23	不锈钢球阀	Q41F - 16\25\40\63\100 P	1.6~10.0	15~400	国标重型优质产品		
24	液控缓闭止回半球阀(配套液 压站式装置)	HBQ740 ^R _N - 6\10\16	0.6~1.6	300~2000	流通能力大, 能消除水锤和噪声。有止回 和切断阀的功能。不积杂物, 不缠绕杂物, 能剪断铁丝等。	贵州六盘水水厂 闽东电力	
25	波纹管截止阀	WJ41HW - 16\25\40	1.6~4.0	40~300	双重密封, 波纹管与填料安全可靠防止外 泄露。	玉溪钢厂鲁西化工	
26	配 件 蝶阀专用法兰	法兰式管道伸缩器	TSXF - 6\10\16\25	0.6~2.5	80~1600	在一定范围内可轴向伸缩与角度偏移。	慈溪经济开发区
		蝶阀专用法兰	平焊/对焊法兰盖	1.0~4.0	25~2000	为确保蝶阀安装时安全可靠, 采用专用法 兰, 并符合 GB/T19115.1-2000 的规定。	盐城水厂/安徽大毫水厂

重点推荐产品 (1)

序号	产品名称	产品型号	压力范围 PN(MPa)	通径范围 DN(mm)	备注	客户联系及业绩
1	三聚氰胺用蝶阀	RND343H - 16\25\40 RL	1.6~4.0	20~800	层叠式金属硬密封结构	山西 丰荷化工/湖北华强化工 鲁西化工三聚氰胺 SWTY 龙宇化工 50万吨/年甲醇 天津凯威化工 安徽晋煤尿素 100万吨 安徽华道 60万吨/年甲醇 绍兴远东石化 140万吨 PTA 安徽三星化工/四川美丰化工 山东舜天化工
	催化剂用耐蝶阀	NMQ347GY - 16\25	1.6~2.5	50~400	三段式金属硬密封	
	电动防结晶蝶阀	BRZ942Y - 16\25	1.6~2.5	300~1200	设置内加热系统和阀杆导向润滑装置	
	电动防结晶蝶阀	BRD943Y - 16\25	1.6~2.5	300~1200	设置内加热系统和外保温系统	
2	气动保温调节阀	BQH643H - 16\25	1.6~2.5	250~800	多路切换, 保温运行	淮南矿业 紫金矿业 成都龙泉防腐 青海百通高纯硅项目 福耀玻璃集团
	气动调节阀	ZAJD4H - 16\25	1.6~2.5	200~1200	层叠式金属密封配套调节装置。	
	电动偏心耐蝶阀	NMQ947GY - 16\25	1.6~2.5	250~800	偏心半球式金属硬密封结构	
	气动V型耐蝶阀	VO640GY - 16\25	1.6~2.5	250~800	V型球式金属硬密封结构	
3	载气止回阀	HTH47H - 16\25	1.6~2.5	300~1200	层叠或T型结构, 配置液液缓闭装置	宝钢梅山公司 上海外高桥 90万机组 阿尔斯通电厂项目 新长光工业炉配套 榆次热电 武钢集团 宝钢宁波钢厂
	高耐球阀	NMQ3A - 高耐球阀 16\25系列	1.6~2.5	20~400	设置耐球阀, 隐藏式密封结构	
	高耐球阀	NMZA - 高耐球阀 16\25系列	1.6~2.5	20~400	设置耐球阀, 隐藏式密封结构	
	耐蝶阀	NM/DZB - 耐蝶阀 10\16系列	1.0~1.6	50~1000	设置耐球阀, 隐藏式密封结构	
4	耐蝶阀	NM/D3C - 耐蝶阀 16\25系列	1.6~2.5	50~1000	设置耐球阀, 隐藏式密封结构	宝拉玛依应急池工程/远东石化 中石化彭州80万吨乙烯
	气胀式耐蝶阀	NM/D6D - 气胀式耐蝶阀 10\16系列	1.0~1.6	50~600	设置气胀式密封结构, 保护启闭过程密封副。	
	脱硫烟气挡板	FD6J ⁴ ₆ 1B* - 0.05\0.1	0.005~0.01	2500*1800~ 10800*5500	百叶密封结构, 有开关型或调节型两种形式	
	脱硫烟道蝶阀	D ³ ₆ 42W - 1\25 (NPR)	0.1~2.5	300~2000	焊接式金属硬密封, 泄露量 ≤1%	
5	脱硫专用衬胶蝶阀	D ³ ₆ 71J - 10\16 D ³ ₆ 41J - 10\16	1.0~1.6	50~2000	双向承压中心式结构	上海纳孚迪拜项目 三钢/万家寨/石家庄炼油厂 吴泾化工/王伟德国/闽东/鲁 西/华谊/俄罗斯/塞尔/新 加坡船厂/宝钢/首钢/大连水厂
	双座水封烟气蝶阀	Ds941XI - 2.5\1C	0.25~0.1	600~3000	双座水封, 密封可靠性佳	
	烟气换向挡板	XD641 (NR) - 0.5C\1N	0.05	500~2400	多路切换或隔离	
	矩形烟气换向挡板	XFD641 (NR) - 0.5C\1N	0.05	规格齐全	多路切换或隔离	
6	三偏心双向高性能蝶阀	D ³ ₆ 75G - 10\16\25	1.0~2.5	50~1600	蝶板与阀座采用双堆焊密封结构	宝钢转炉/外高桥电厂/三钢
	三偏心双向软密封蝶阀	D ³ ₆ 43J - 6\10	0.6~1.0	50~2000	采用高性能复合材料密封副	
7	三偏心双向高可靠型金属硬密封 阀组	D ^H _F GSH - 16\25\40	1.6~4.0	350~1600	双阀组结构	